



Toll Free Phone: 800.263.7011
Toll Free Fax: 800.459.6227

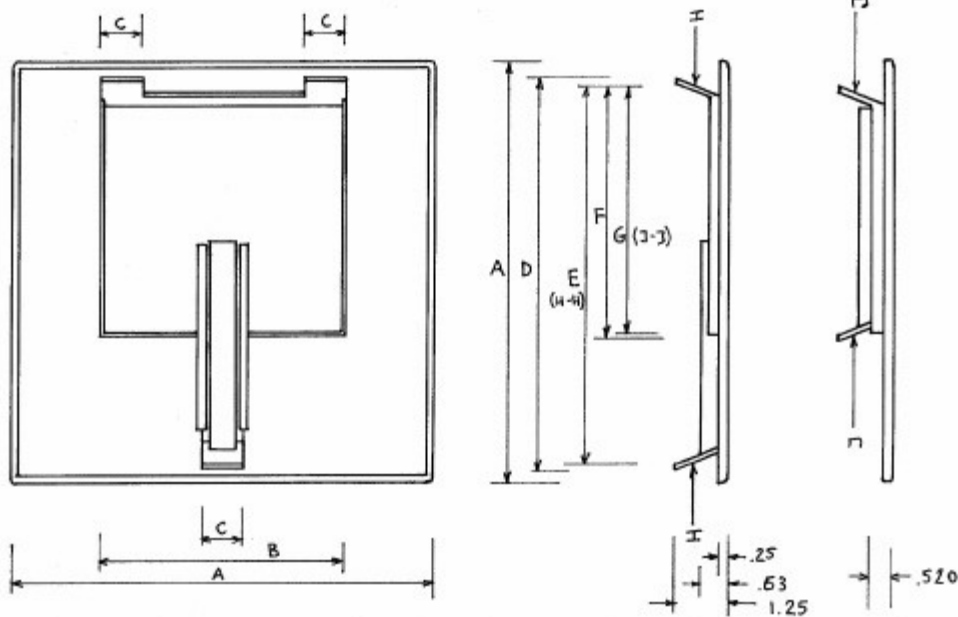
Toll Free Phone: 800.361.3773
Fax: 905.625.9481

Spring-Connect

Non-rated Plastic Access Panel
For installations in walls and ceilings

8" 320808
12" 321212

MATERIAL: HIGH IMPACT STYRENE
FINISH: TEXTURED OUTER SURFACE
COLOR: WHITE



CODE	SIZE	WEIGHT	A	B	C	D	E MAX OPENING SIZE (H-H)	F	G MIN. OPENING SIZE (J-J)	MIN. SPRING TENSION	MAX SPRING TENSION
320808	8"	½ LB	10"x10"	6"x6"	1"	9 ½"	8¾"x8¾"	6"	6" x 6"	2 LB	5 LB
		230 G	254x254 MM	150x150 MM	25.4 MM	240 MM	220x220 MM	150 MM	150x150 MM	1000 G AT MAX OPENING	2500 G AT MIN OPENING
321212	12"	1 LB	14"x14"	10"x10"	1"	13.5"	12¾"x12¾"	10"	10"x10"	2 LB	5 LB
		450 G	355x355 MM	254x254 MM	25.4 MM	343 MM	324x324 MM	254 MM	254x254 MM	1000 G AT MAX OPENING	2500 G AT MIN OPENING

www.lyncar.com | www.waterlineproducts.com