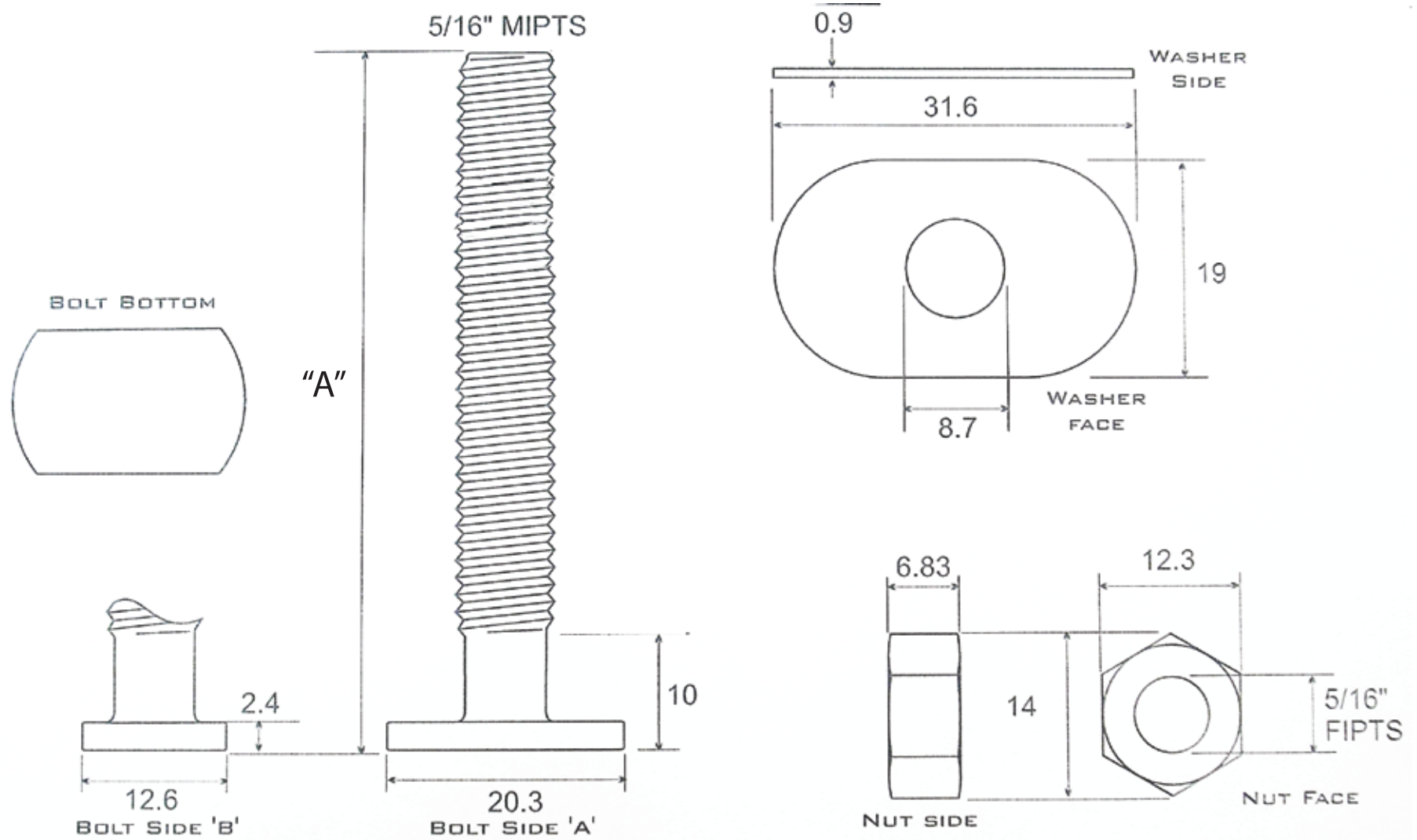


CLOSET BRASS BOLT ASSEMBLY



PART#	"A"	DESCRIPTION	Scale = 2:1 IN = MM	PARTS	MATERIAL
82	59.6mm	5/16" x 2-1/4"			BOLT
83	91.3mm	5/16" x 3-1/2"		WASHER NUT	FORGED BRASS FORGED BRASS