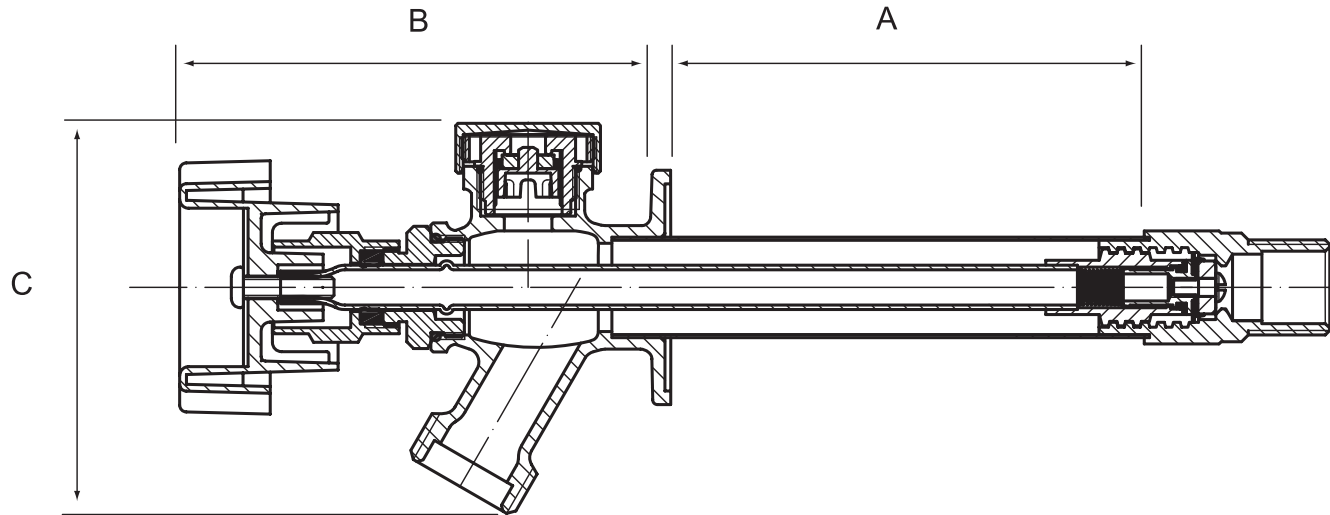


APPROVAL LOGO



A	8"	10"	12"	14"
B	3.8	3.8	3.8	3.8
C	3.4	3.4	3.4	3.4

					TOLERANCES UNLESS OTHERWISE SPEC	DRAWING	2007.10.24
					MILLIMETER	BY	
					INCH		
					0.0 - ±0.5 .00 - ±.0315		
					0.00 - ±0.25 .00 - ±.010	MATERIAL	BRASS
					0.000 - ±0.05 .000 - ±.003		
					FRACTIONS AS-CASTING	FINISH	
					±0.8 ± 1/32		
SYM.	LOC.	REVISION	DATE.		ALL EDGES .005~.010	SCALE	
					BROKEN 0.13~0.25		
					ANGLES ± 1/2"		