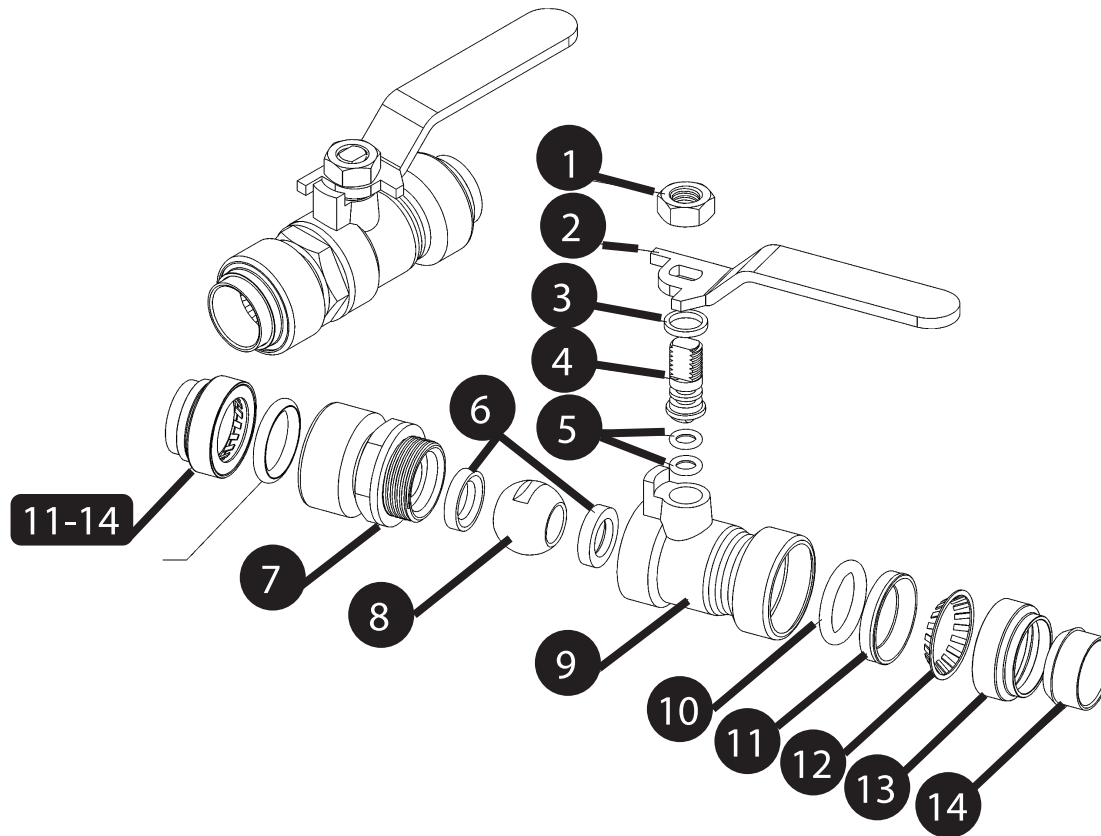


APPROVAL LOGO



Part# and Description

Part#	Description
69728	1/2" ball valve
69729	3/4" ball valve
69730	1" ball valve

Part Names and Materials

Number	Part Name	Material(s)
1	Handle nut	
2	Handle	
3	Stem Seal	PTFE
4	Stem	
5	O-Ring	
6	Seats	PTFE
7	Bonnet	
8	Ball	
9	Body	Brass
10	O'Ring	EPDM
11	Locking Ring	POM (Plastic)
12	Gripper Ring	S.S.304
13	Seat Ring	POM (Plastic)
14	Push Ring	POM (Plastic)