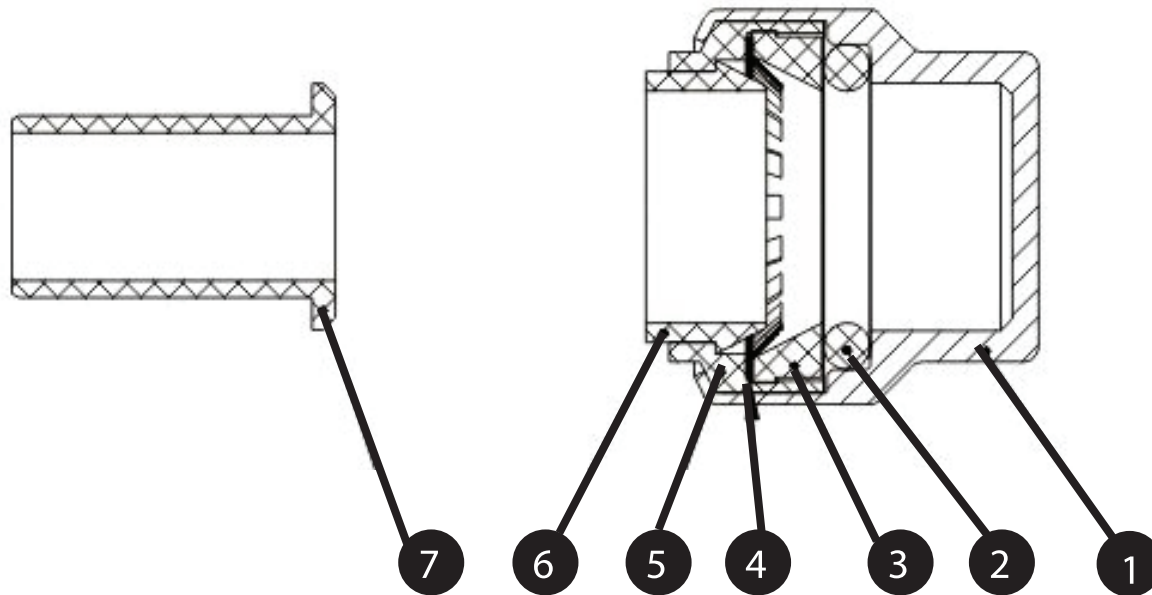


APPROVAL LOGO



Part# and Description

Part#	Description
69718	1/2" end cap
69719	3/4" end cap
69727	1" end cap



Part Names and Materials

Number	Part Name	Material(s)
1	Body	Brass
2	O-Ring	EPDM
3	Locking Ring	POM (Plastic)
4	Gripper Ring	S.S.304
5	Seat Ring	POM (Plastic)
6	Push Ring	POM (Plastic)
7	Stiffener	PSU (Plastic)