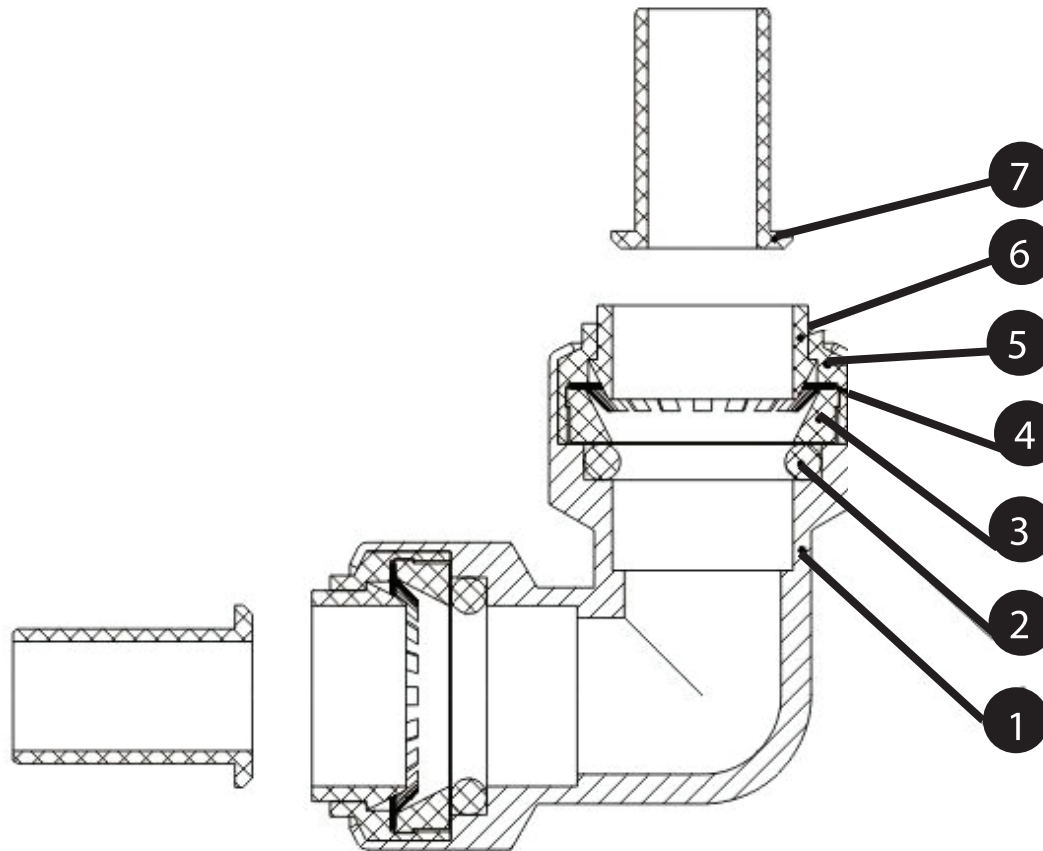


APPROVAL LOGO



Part# and Description

Part#	Description
69709	1/2" x 1/2" elbow
69710	3/4" x 3/4" elbow
69711	3/4" x 1/2" elbow
69724	1' x 1" elbow

Part Names and Materials

Number	Part Name	Material(s)
1	Body	Brass
2	O-Ring	EPDM
3	Locking Ring	POM (Plastic)
4	Gripper Ring	S.S.304
5	Seat Ring	POM (Plastic)
6	Push Ring	POM (Plastic)
7	Stiffener	PSU (Plastic)