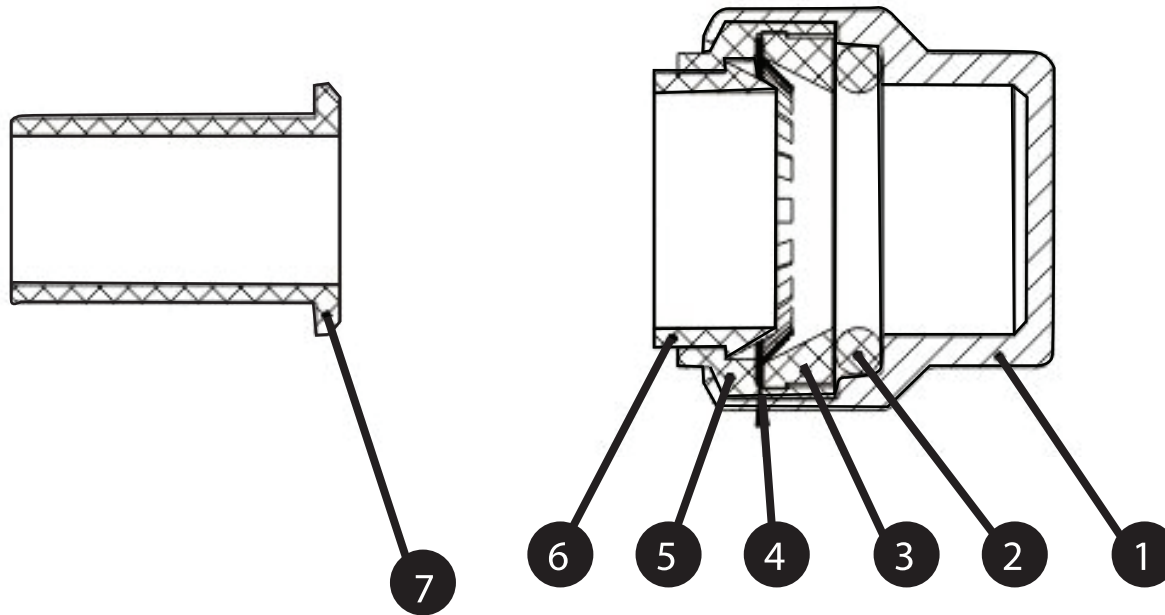


APPROVAL LOGO



### Part# and Description

Part#	Description
69700	1/2" coupling
69701	3/4" coupling
69722	1" coupling
69702	3/4" x 1/2" Reducing coupling
697221	1" x 3/4" Reducing coupling



### Part Names and Materials

Number	Part Name	Material(s)
1	Body	Brass
2	O-Ring	EPDM
3	Locking Ring	POM (Plastic)
4	Gripper Ring	S.S.304
5	Seat Ring	POM (Plastic)
6	Push Ring	POM (Plastic)
7	Stiffener	PSU (Plastic)