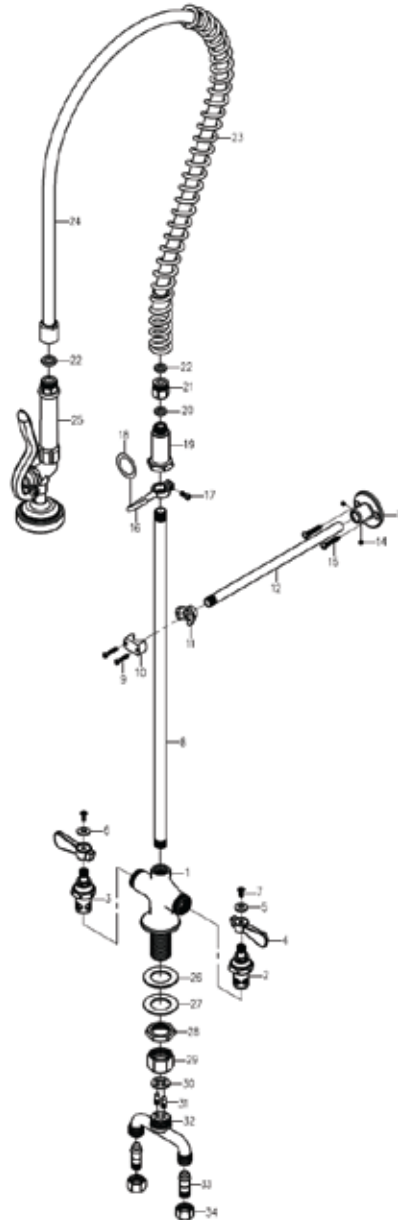




NO.	Material
1	No-lead Brass
2	No-lead Brass
3	No-lead Brass
4	Zinc
5	POM
6	POM
7	Stainless Steel
8	No-lead Brass
9	Brass
10	Zinc
11	Zinc
12	No-lead Brass
13	Zinc
14	Stainless Steel
15	Stainless Steel
16	Zinc
17	Brass
18	ABS
19	No-lead Brass
20	NBR
21	No-lead Brass
22	NBR
23	Iron
24	Stainless Steel
25	No-lead Brass+POM+PVC
26	NBR
27	Iron
28	Brass
29	Brass
30	Santoprene
31	Brass
32	No-lead Brass
33	No-lead Brass
34	Brass



		Date:	
Revision			
Item No.	33612	Scale	
Company	LYNCAR	Date	10.13.14