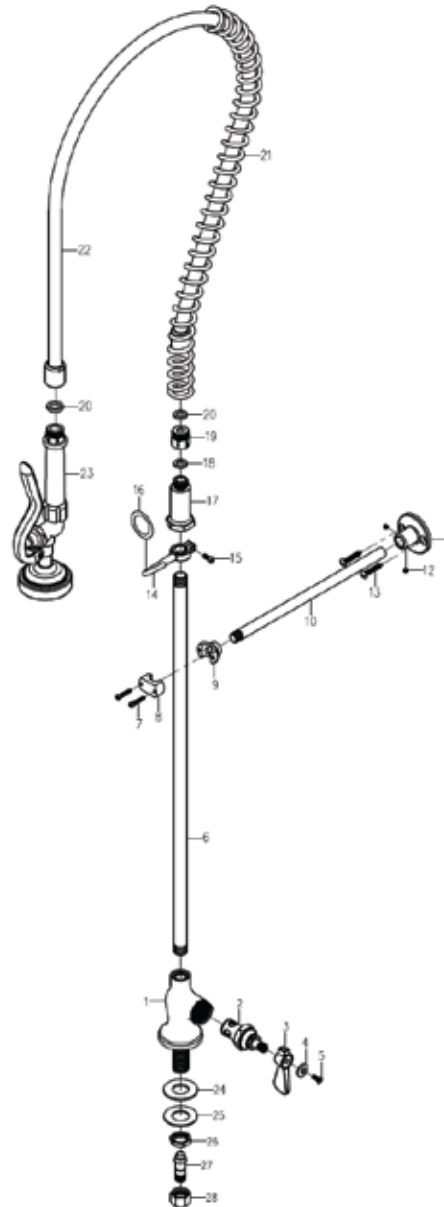




NO.	Material
1	No-lead Brass
2	No-lead Brass
3	Zinc
4	POM
5	Stainless Steel
6	No-lead Brass
7	Brass
8	Zinc
9	Zinc
10	No-lead Brass
11	Zinc
12	Stainless Steel
13	Stainless Steel
14	Zinc
15	Brass
16	ABS
17	No-lead Brass
18	NBR
19	No-lead Brass
20	NBR
21	Iron
22	Stainless Steel
23	No-lead Brass+POM+PVC
24	NBR
25	Iron
26	Brass
27	No-lead Brass
28	Brass



		Date:	
Revision			
Item No.	33100	Scale	
Company	LYNCAR	Date	10.13.14