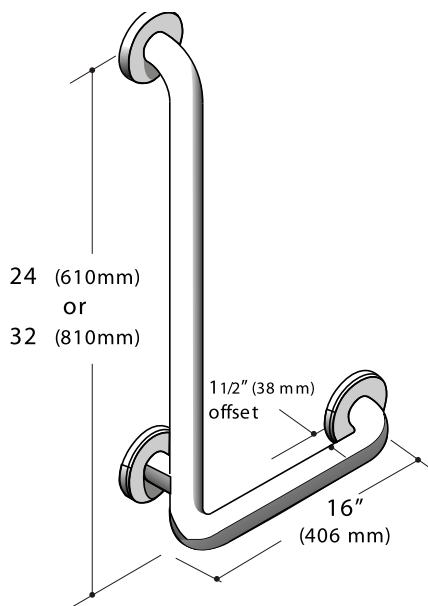


90° Angle Grab Bars



90° Angle Bar with post and concealed flanges. Manufactured from 18 gauge, polished stainless steel tubing.

Three, 14 gauge stainless steel mounting flanges are welded to the tube to form a single structural unit. The Angle Bar shall comply with all applicable federal, and local building and safety codes.



- > Left or right mounting
- > Professional quality
- > Welded construction
- > Concealed flange
- > Polished Stainless Steel
- > Box packaged

Size and Parts Specifications

Part#	Description
557230	16" x 24" left handed
557231	16" x 24" right handed
557321	24" x 24" left handed
557322	24" x 24" right handed