

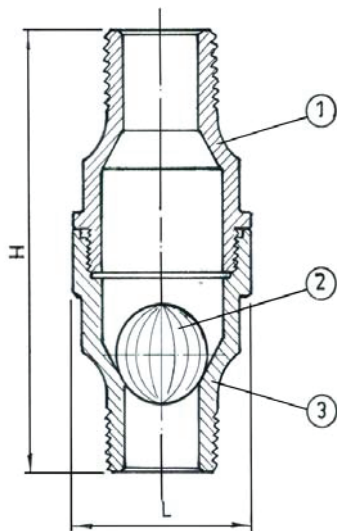
## BALL DRIP VALVES



LynCar's Ball Drip valves are available in 1/2" and 3/4" sizes.

### Material Specifications

Number	Part Name	Material(s)
1	Bonnet	Brass (ASTM-UNS B584 C 85710)
2	Ball	Brass (ASTM-UNS B124 C 37700)
3	Body	Brass (ASTM-UNS B584 C 85710)



### Size and Parts Specifications

Part#	Size	"L"(mm)	"H"(mm)	Parts Included
803026	1/2" male	34.5	78	ALL
803026B	3/4" male	34.5	73	ALL