

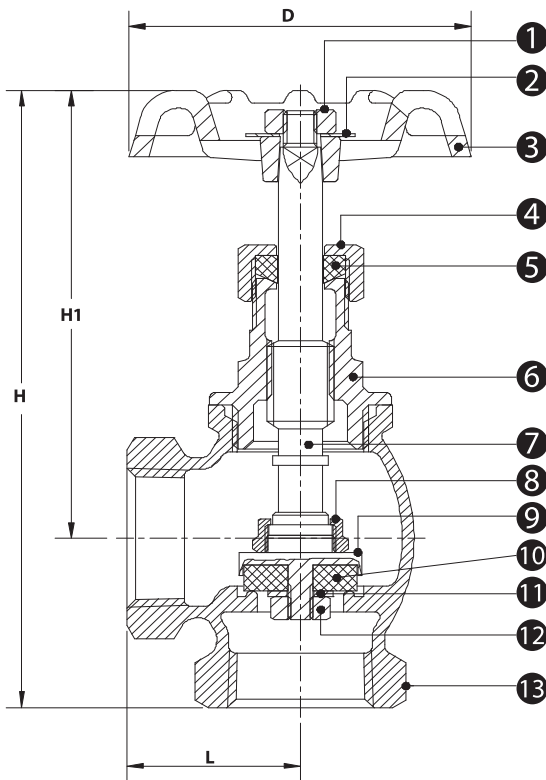
ANGLE VALVES



Cast brass angle valves are for Trim and Drain applications. It is designed to be used for all sprinkler systems (including high pressure systems).

Material Specifications

Number	Part Name	Material(s)
1	Wheel Nut	Hot Rolled (SAE 1010R)
2	Name Plate	Aluminum (A1100)
3	Handwheel	Cast Iron (JIS ZZ2202)
4	Cross Handle	Brass (ASTM-UNS B584 C 85710)
5	Packing Nut	Brass (ASTM-UNS B16 C36000)
6	Gland Packing	Graphite (LK 33 NAFG) Teflon (POLYFLON PTFE M-392)
7	Bonnet	Brass (ASTM-UNS B584 C 85710)
8	Stem	Brass (ASTM-UNS B16 C36000)
9	Locknut	Brass (ASTM-UNS B16 C 36000)
10	Seat Holder	Brass (ASTM-UNS B584 C 85710)
11	Seat Packing	Rubber (NBR) FN80(4)
12	Washer	Brass (ASTM-UNS B16 C 36000)
13	Seat Screw	Brass (ASTM-UNS B124 C 37700)
	Seat Nut	Brass (ASTM-UNS B16 C 36000)
	Body	Brass (ASTM-UNS B584 C 85710)



- > LynCar's Angle Valve
- > 200 WOG valve
- > Rubber Seated for Fire Protection use
- > Cast brass body IPS Threaded

Size and Parts Specifications

Part#	Size	"D"(mm)	"H"(mm)	"H1"(mm)	"L"(mm)	Parts Included
8076012	1/2"	53	83	60	26.5	1, 2, 3, 4, 5, 6, 8, 10, 12, 13
8076034	3/4"	63	120	87	32	1, 2, 3, 4, 5, 6, 8, 9, 10, 11, 12, 13
8076100	1"	63	136	99.5	39.5	1, 2, 3, 4, 5, 6, 8, 9, 10, 11, 12, 13
8076114	1 1/4"	69	148.5	104	45.4	1, 2, 3, 4, 5, 6, 8, 9, 10, 11, 12, 13
8076112	1 1/2"	80	187	137.5	50	1, 2, 3, 4, 5, 6, 8, 9, 10, 11, 12, 13
8076200	2"	101	230	171.5	59.5	1, 2, 3, 4, 5, 6, 7, 8, 9, 10, 11, 12, 13