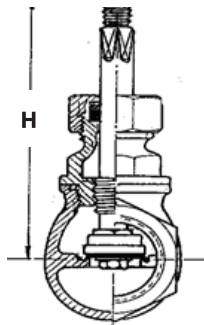
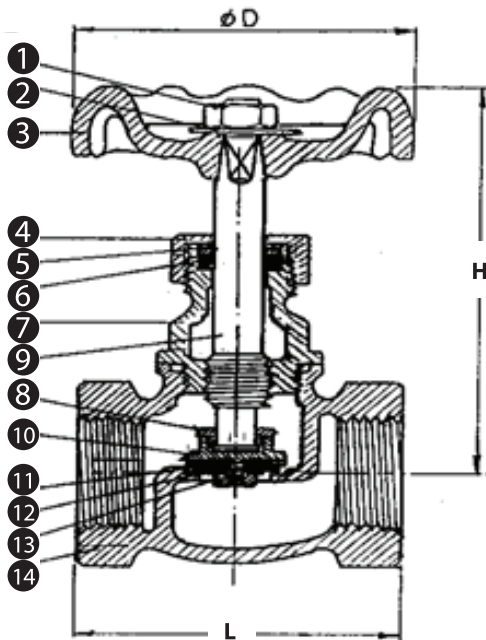


## GLOBE VALVES WITH SOFT SEAT



LynCar Products rubber seated brass globe valves for use in trim and drain applications in fire sprinkler systems. Rated 200 PSI WOG. Recommended for use where tight shut off and frequent operation are required.

### Material Specifications

Number	Part Name	Material(s)
1	Wheel Nut	Hot Rolled (SAE 1010R) Brass (ASTM-UNS B124 C37700)
2	Name Plate	Aluminum (A1100)
3	Handwheel Cross Handle Pegler Handle	Cast Iron (JIS Z2202) Bronze (ASTM-UNS B584 C84400) Cast Iron (JIS Z2202)
4	Packing Nut	Brass (ASTM-UNS B16 C36000)
5	Gland Ring	Brass (ASTM-UNS B16 C36000)
6	Gland Packing	Graphite (LK 33 NAFG)
7	Bonnet	Brass (ASTM-UNS B16 C36000) Bronze (ASTM-UNS B584 C84400)
8	Lock Nut	Brass (ASTM-UNS B16 C36000)
9	Stem	Brass (ASTM-UNS B16 C36000) Bronze (ASTM-UNS B584 C84400)
10	Seat Holder	Brass (ASTM-UNS B16 C36000) Bronze (ASTM-UNS B584 C84400)
11	Seat Packing Seat Screw	Rubber (NBR) FN80(4) Brass (ASTM-UNS B124 C37700)
12	Seat Nut	Brass (ASTM-UNS B16 C36000)
13	Seat Washer	Brass (ASTM-UNS B16 C36000)
14	Body	Bronze (ASTM-UNS B584 C84400)

- > LynCar's Globe Valve
- > 200 WOG valve
- > Rubber Seated for Fire Protection use
- > Cast brass body IPS Threaded

### Size and Parts Specifications

Part#	Size	"D"(mm)	"H"(mm)	"L"(mm)	Parts Included
8075014	1/4"	54	73.5	46	1, 2, 3, 4, 6, 7, 9, 10, 11, 12, 14
8075012	1/2"	54	67.5	48	1, 2, 3, 4, 6, 7, 9, 10, 11, 12, 14
8075034	3/4"	55.5	75.5	56	1, 2, 3, 4, 6, 7, 9, 10, 11, 12, 14
8075100	1"	70	86.5	64.5	1, 2, 3, 4, 6, 7, 9, 10, 11, 12, 14
8075114	1 1/4"	75	110	74	1, 2, 3, 4, 5, 6, 7, 8, 9, 10, 11, 12, 13, 14
8075112	1 1/2"	84	130	84	1, 2, 3, 4, 5, 6, 7, 8, 9, 10, 11, 12, 13, 14
8075200	2"	95	153	99.5	1, 2, 3, 4, 5, 6, 7, 8, 9, 10, 11, 12, 13, 14