

CLOSET BOLTS, SCREWS, NUTS & WASHERS

ROUND WASHER



- 2 Solid Brass Bolts
- 2 Solid Brass Nuts
- 2 Solid Brass Round Washers
- Packaged in Pairs

OVAL WASHER



- 2 Solid Brass Bolts
- 2 Solid Brass Nuts
- 2 Solid Brass Oval Washers
- Packaged in Pairs

PART#	DESCRIPTION
82R	5/16" x 2-1/4"

PART#	DESCRIPTION
82	5/16" x 2-1/4"

LONG BRASS OVAL WASHER



- 2 Solid Brass Bolts
- 2 Solid Brass Nuts
- 2 Solid Brass Oval Washers
- Packaged in Pairs

PLASTIC BOLT ROUND WASHER



- 2 Plastic Bolts
- 2 Plastic Nuts
- 2 Plastic Round Washers
- Packaged in Pairs

PART#	DESCRIPTION
83	5/16" x 3-1/2"

PART#	DESCRIPTION
84	5/16" x 2-1/4"

BREAK-AWAY OVAL WASHER



- 2 Brass Bolts
- 2 Brass Nuts
- 2 Brass Oval Washers
- Packaged in Pairs

BOLT ONLY



- Solid Brass

PART#	DESCRIPTION
82BB	5/16" x 2-1/4"

PART#	DESCRIPTION
112	5/16" x 2-1/4"
113	5/16" x 3-1/2"

NUT - BRASS



PART#	DESCRIPTION
133	5/16" open nut
135	5/16" closed end nut

WASHER - CLOSET BOLT - BRASS



PART#	DESCRIPTION
142	Round Washer
149	Oval Washer

CLOSET BOLTS, SCREWS, NUTS & WASHERS

BOLT - TANK TO BOWL - SETS - BRASS



- 2 - Brass Bolts 5/16" x 3"
- 4 - Brass Hex Nuts
- 4 - Cloth Inserted Rubber Washers
- 4 - Plated Brass Washers

PART#	DESCRIPTION
237	Bolt - Tank To Bowl - Sets - Brass
232	Bolt only
242	Washer only
243B	Nut only

TANK - TO BOWL CONNECTOR KIT



- With Rubber Gasket
- 1 Rubber gasket
- 2 Bolts Brass or steel
- 4 Heavy washers Brass or Steel
- 4 Rubber washers
- 4 Hex nuts Brass or Steel

PART#	DESCRIPTION
437	Regular Gasket
438	CRANE Red Gasket Recessed
439	AM/STD Gasket Recessed

CLOSET BOLTS, SCREWS, NUTS & WASHERS

CAP - PLASTIC BOLT - ROUND



- Bottom snap washer included
- Available in package pair or poly bagged bulk

PART#	BULK PART#	COLOUR
913	913Q	White
914	914Q	Bone

GASKETS ONLY - TANK TO BOWL



- Sponge Rubber

PART#	DESCRIPTION
2095	CRANE Style
2096	Regular
2097	Recessed AM/STD
2098	CRANE RED Recessed

KOHLER TANK TO BOWL GASKET



- KOHLER triangle gasket
- OEM REF 51487

PART#	DESCRIPTION
3001	KOHLER Gasket

TANK LEVERS

TANK LEVER - VINTAGE
AM-STD

- Solid Cast Brass Construction
- Premier Finish
- Made to Match Most Faucets & Stop Handles
- Fits Most Water Closet Mechanism
- Suitable for AM-STD

PART#	DESCRIPTION
-------	-------------

1070	Straight Lever
1071	45° Lever

TANK LEVER - 45°
AM-STD

- 4 to 6" Arm for AM-STD Cadet III

PART#	BULK	DESCRIPTION
-------	------	-------------

1063	1063Q	Chrome
1063PB	N/A	Polished Brass Handle
1063W	1063WQ	White
1063G	1063GQ	Grey
1063B	1063BQ	Bone

TANK LEVER - 28° FIT ALL
AM-STD

- Chrome Plated ABS Plastic
- 28° Tank Lever, Fit All

PART#	BULK	DESCRIPTION
-------	------	-------------

1067	1067Q	Chrome
1067W	1067WQ	White
1067G	1067GQ	Grey
1067B	1067BQ	Bone

TANK LEVER - PUSH BUTTON
AM-STD

- Chrome plastic handle
- AM-STD, CRANE, KOHLER, ELJER
- Chrome Finish
- Brass arm

PART#	DESCRIPTION
-------	-------------

1075	Front Push Button
1077	Side Push Button

TANK LEVERS

TANK LEVER - ACTUATOR HANDLE AM-STD



- For ROMA toilets series 1012
- Die cast metal handle
- Plastic arm

PART#	DESCRIPTION
1078	A/S push button 1012

TANK LEVER - ABS 6" AM-STD



- Chrome or white lever
- 6" arm & 90 degrees

PART#	BULK PART#	DESCRIPTION
1066	1066Q	Chrome
1066W	1066WQ	White

TANK LEVER - NEW STYLE ABS PLASTIC 6" AM-STD



- Chrome or white lever
- AM-STD New style handle
- 6" long & 90 degrees

PART#	BULK PART#	DESCRIPTION
1068	1068Q	Chrome
1068W	1068WQ	White

TANK LEVER - ECONOMY - SHORT 4" AM-STD



- 4" ABS Plastic arm
- ABS handle
- For AM-STD & ELJER
- Chrome, white, grey or blue

PART#	BULK PART#	DESCRIPTION
1046	1046Q	Chrome
1046W	1046WQ	White
1046G	1046GQ	Grey
1046B	1046BQ	Bone

TANK LEVERS

TANK LEVER - ECONOMY - LONG 8"
CRANE

- 8" ABS Plastic arm
- ABS handle
- Fits Crane and others

PART#	BULK	DESCRIPTION
1047	1047Q	Chrome
1047W	1047WQ	White

TANK LEVER
ELJER

- 10" Brass arm
- Die cast handle
- Plastic spud
- Plastic locknut
- Side mount

PART#	BULK	DESCRIPTION
1049	1049Q	Chrome
1050	N/A	Polished Brass Handle

TANK LEVER - SURE-FIT
FLUIDMASTER

- 8" ABS Plastic arm
- ABS Plastic handle
- Retail Carded

PART#	DESCRIPTION
FM680	White #680C
FM681	Chrome #681C
FM682	Polished Brass #682C

PUSH-BUTTON TANK LEVERS



- Especially for side-mount tanks.
- Easy to install.
- Fits most AM-STD and UNIVERSAL-RUNDLE® brand toilets.
- Available in Chrome Only

PART#	DESCRIPTION
FM691	Push-Button Tank Levers

TANK LEVERS

TANK LEVER - WELLWORTH II KOHLER



- 8" Plastic arm
- CP Die cast handle
- Plastic spud
- Plastic locknut

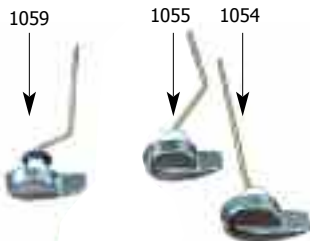
PART#	DESCRIPTION
1051	Individual
1051Q	Bulk

TANK LEVER MANSFIELD



PART#	DESCRIPTION
1045	#41 & #42 New style C.P. plastic
1065	#42 CP Die Cast Handle, Metal Arm, old style

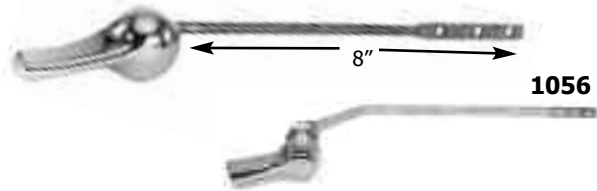
TANK LEVER - TOTO



- 10" Round brass arm
- CP Die cast handle (part# 1059 only)
- Plastic spud CP plastic handle
- Plastic locknut
- Side mount

PART#	HANDLE MATERIAL	DESCRIPTION
1059	Metal	TOTO THU068
1054	Plastic	TOTO THU004
1055	Plastic	TOTO THU061

TANK LEVER - UNIVERSAL



- 8" Round Brass Arm
- Die Cast Handle
- Available with die cast or plastic nut

PART#	BULK	DESCRIPTION
1040	1040Q	Chrome - Die cast Spud & Nut
1064	1064Q	Chrome - Plastic Spud & Nut
1040PB	N/A	Polished Brass Handle
1056	N/A	Offset premium tank lever

TANK LEVER - UNIVERSAL ABS



- Shapeable Arm can be fitted 4", 6" & 8" lengths
- Suitable for AM-STD

PART#	DESCRIPTION
1053	Tank Lever - Universal ABS
1053Q	Tank Lever - Universal ABS - bulk

TANK LEVER - OFFSET WESTERN POTTERY



PART#	DESCRIPTION
1058	Western Pottery

FLAPPERS

ACTUATOR FOR AMERICAN STANDARD



ADJUSTABLE FLAPPER FOR AMERICAN STANDARD



- Colour coded timed tips
- For a variety of flush rates

PART#	REPLACES AMSTD	DESCRIPTION
1038	#5	Low profile
1039	#6	High profile
1042	Repair kit with chain rubber grommet & clip	

PART#	BULK PART#
10143	10143Q

BLACK RUBBER FLAPPER AMERICAN STANDARD



- Premium rubber flapper
- Fits AM/ST toilets, CADET, PLEBE & others
- Steel chain

3 WAY WITH FLOAT FOR AMERICAN STANDARD



- 9" chrome plated brass chain
- Vinyl flapper with float
- OEM 738003-300

PART#	BULK PART#
1003	1003Q

PART#	BULK PART#
10142	10142Q

FLAPPER - FOR AMERICAN STANDARD ACTUATOR



FLAPPER - AMERICAN STANDARD



- Oversized Plastic Flapper
- For CADET III
- OEM Ref 738920-007A
- Chemical resistant

PART#	BULK	DESCRIPTION
1035	1035Q	Combo Fit-All
1036	1036Q	Screw-On
1037	1037Q	Snap-On

PART#	BULK
1043	1043Q

FLAPPERS

<p>FLAPPER - KORXY FOR AM-STD</p>  <ul style="list-style-type: none"> - Replaces AM-STD® No. 738920-0070P - Five year guarantee, chlorine resistant 		<p>FLAPPER - CRANE NEW STYLE</p>  <ul style="list-style-type: none"> - Premium rubber flapper - Stainless Steel Chain - Universal fit 	
PART#	DESCRIPTION	PART#	BULK PART#
3040BP	KORXY flapper for AM/STD	1005	1005Q
<p>FLAPPER - OLD STYLE CRANE</p>  <ul style="list-style-type: none"> - Stainless Steel Chain - Polystyrene Float 		<p>COAST STYLE "BLUE" FLAPPER</p>  <ul style="list-style-type: none"> - The popular copy of the COAST Style blue flapper - Chemical resistant and is widely accepted in the industry. 	
PART#	BULK PART#	PART#	BULK PART#
1004	1004Q	10141	10141Q
<p>COASTMASTER "BLUE" FLAPPER</p>  <ul style="list-style-type: none"> - COASTMASTER'S popular blue flapper - Chemical resistant and is widely accepted in the industry 		<p>COASTMASTER "BLUE" FLAPPER WITH CHAIN</p>  <ul style="list-style-type: none"> - COASTMASTER'S popular blue flapper - Chemical resistant and is widely accepted in the industry - Supplied with steel chain 	
PART#	BULK PART#	PART#	BULK PART#
10090	10090Q	10092	10092Q

FLAPPERS

COASTMASTER "CERTAIN SEAL" FLAPPER



- Hard plastic flapper
- Stainless steel chain
- Pressure sensitive seal
- CSA approved
- Fits AM/STD, KOHLER, TOTO

FLAPPER ELJER



- White plastic
- Stainless steel chain
- Fits ELJER - LOW BOY, WINDSOR, CANTERBURY
- Styrofoam ball

PART# DESCRIPTION

53316 Certain seal

PART# DESCRIPTION

11345 ELJER plastic

TITAN FLAPPER, RED ELJER



- Replaces ELJER 495-6077-00
- TITAN model
- Chlorine resistant
- KORKY design

PART# DESCRIPTION

10151 TITAN Red Flapper

TITAN FLAPPER, BLUE ELJER



- Replaces ELJER 495-6077-00
- Blue
- Stainless steel chain
- Extra Large Flapper

PART# DESCRIPTION

10119 TITAN blue flapper

FLAPPER - TANK BALL ELJER



- For ELJER touch valve
- High quality rubber
- Never swells

PART# DESCRIPTION

11346 Box packaged

FLAPPER FRUGAL



Adjust - a - dial

- Designed to convert 3.6, 5 and 7 gallon per flush toilets into water saving toilets by reducing the amount of water per flush by 30 to 50%
- Adjustable water saving
- Fits most 3.5 gallon toilets

PART# DESCRIPTION

1022 Box packaged

FLAPPERS

FLAPPER - RUBBER KOHLER



- 8" CHAIN
- Resistant to tank bowl cleaners
- Replaces KOHLER 49114

FLAPPER - KOHLER CIMMERON STYLE



- Red
- Stainless steel chain
- Extra large flapper

PART#	BULK PART#	DESCRIPTION	PART#	DESCRIPTION
1031	1031Q	LYNCAR black	10120	KORKY KOHLER Cimmeron
10154	N/A	KORKY red		

KOHLER CLASS 5 STYLE FLAPPER



- Red
- Stainless steel chain
- Extra large flapper

KORKY 2010 FITS KOHLER RIALTO FLAPPER



- Fits specific KOHLER one-piece toilets
- Replaces KOHLER p/n 83064
- Premium red Chlorazone rubber resists chlorine
- Embedded styrofoam float

PART#	DESCRIPTION	PART#	DESCRIPTION
10158	Red KORKY Class 5	10155	KORKY KOHLER
10121	Red LYNCAR model, Class 5		

KORKY 2011 FITS KOHLER HINGE FLAPPER



- Fits specific KOHLER one-piece toilets
- Replaces KOHLER p/ns 84995 & 1000490
- Premium red Chlorazone rubber resists chlorine
- Flapper hinges onto back of flush valve

KORKY 2010 FITS KOHLER SHARK FIN FLAPPER



- Fits specific KOHLER one-piece toilets
- Premium red Chlorazone rubber
- Resists chlorine
- Replaces KOHLER p/ns 84318, 84314, 85655 and 89825

PART#	DESCRIPTION	PART#	DESCRIPTION
10156	KORKY KOHLER Hinge	10157	KORKY KOHLER Shark Fin

FLAPPERS

KORKY FLAPPER - 54



- Blister packed
- Preferred by plumbers for superior quality and reliability since 1954
- Universal replacement flapper

KORKY PLUS FLAPPER - 2001



- Chlorazone red rubber
- Resists chlorine
- Universal design fits both brass and plastic flush valves

PART# DESCRIPTION

54 KORKY 54

PART# DESCRIPTION

55 KORKY 2001

KORKY PLUS 6L FLAPPER 16



- Premium red Chlorazone rubber
- Designed for newer (since 1995) 1.6 gallon toilets
- Resists chlorine
- Saves up to 50% more water in standard toilets (older than 1995)
- Five year guarantee

KORKY PLUS ADJUSTABLE TOILET TANK FLAPPER



- Made from Chlorazone
- Easily adjusts to save water or a bigger flush
- Fits most brands
- 5 year guarantee

PART# DESCRIPTION

16 KORKY 6L Flapper

PART# DESCRIPTION

51 KORKY PLUS

KORKY CLASSIC



- Original design for brass flush valves
- For older, 5 and 7 g.p.f. toilets

KORKY MAXFLUSH



- Fits slanted plastic flush valves
- Stays open longer for maximum flush
- Specially designed for low boy style toilets

PART# DESCRIPTION

50 KORKY CLASSIC

PART# DESCRIPTION

92 KORKY MAXFLUSH

FLAPPERS

KORKY® 525BP FLAPPER



- Made of durable vinyl
- Easy to install
- Fits most two piece toilets
- Tangle free lift strap
- Prevents leaks
- Fits CRANE brass and plastic flush valves

PART#	DESCRIPTION
10126	KORKY 525 Flapper

KORKY® LARGE 3 INCH ADJUSTABLE FLAPPER



- Adjusts to fit all 3 inch toilets
- Universal design fits large 3 inch flush valves
- Adjusts to match performance of OEM flapper
- Five year guarantee

PART#	DESCRIPTION
3060BP	Universal 3" fit flapper

MANSFIELD FLAPPER



- OEM REF 630-0206
- Blue, oversized
- Stainless steel chain

PART#	DESCRIPTION
10122	Extra large flapper



&



For ALL your flapper & toilet repair products

FITS TOTO® G-MAX™ FLAPPER



- Authorized replacement flapper for TOTO G-MAX toilets, or Non OEM models
- 3" sealing surface for larger TOTO flush valve seats
- Red in colour
- Resists chlorine
- Five year guarantee
- Non OEM model also available

PART#	DESCRIPTION
10131	KORKY OEM
10124	Non OEM, LYNCAR brand

TOTO® - POWER GRAVITY



- Authorized replacement flapper for TOTO Power Gravity toilets, or Non OEM models
- 3" sealing surface for larger TOTO flush valve seats
- Blue in colour
- Resists chlorine
- Five year guarantee
- Non OEM model also available

PART#	DESCRIPTION
10130	KORKY OEM
10123	Non OEM, LYNCAR brand

UNIVERSAL FLAPPERS

PLASTIC ADJUSTABLE



- Adjustable flapper
- Blue plastic body
- Seal washer
- Steel chain
- Fits AM/STD/ KOHLER/ TOTO

UNIVERSAL RUBBER FLAPPER



- Premium grade rubber
- Universal
- Steel chain

PART#	DESCRIPTION
10140	Plastic adjustable flapper

PART#	BULK PART#
1028	1028Q

TANK BALL



- Water saver
- 1 per box

PART#	DESCRIPTION
1032	Tank Ball

UNIVERSAL VINYL FLAPPER



- Vinyl flapper
- Universal
- Steel chain

PART#	BULK PART#
10144	10144Q

FLUSH VALVES

FLUSH VALVE - DOUGLAS, BRASS



- Rubber washer
- Solid ring guide
- Locknut Overflow tube

FLUSH VALVE - DOUGLAS, PLASTIC



- White plastic
- Steel chain
- Rubber flapper
- Valve gasket
- Fits AM/STD/ CRANE & others

PART#	DESCRIPTION	PART#	BULK PART#
1027	Brass Flush Valve with Brass Nut	1029	1029Q

MANSFIELD # 210/211 STYLE FLUSH VALVE



- For 3.5 Gallon Tank
- 10-3/4" Length

FLUSH VALVE ADJUSTABLE



- Adjustable overflow tube
- Adjusts from 6" to 11"
- Rubber flapper
- Fits AM/STD / KOHLER / ELJER / CRANE & others

PART#	DESCRIPTION	PART#	DESCRIPTION
10210	Full Flush	10299	Adjustable
10211	Water Saver 1.6 gallon Flush		

TOILET REPAIR

MANSFIELD FLUSH VALVE SEAL



- Seal for # 210 / 211 MANSFIELD
- Flush Valve

PART#	DESCRIPTION
10212	MANSFIELD Flush valve seal

TOTO REPLACEMENT FILL VALVE
FROM KORKY

- Proven quietest
- 5 year guarantee
- OEM for TOTO
- Easiest to install... No tools required!
- Resists chemicals and toilet tank cleaners
- Retail Packaged
- Replaces TOTO Power Gravity & G-Max Fill Valves

PART#	DESCRIPTION
10129	#528T Fill valve

FAUCET REPAIR

KORKY QUIETFILL FILL VALVE



- Proven quietest
- 5 year guarantee
- Fits all brands
- Easiest to install... No tools required!
- Resists chemicals and toilet tank cleaners

PART#	DESCRIPTION
10125	#528CF QUIETFILL
10127	Repair Kit #528CF BALLCOCK

KORKY® UNIVERSAL TOILET REPAIR KIT



- Fix your leaking, noisy, or running toilet in 1 trip
- Kit includes: fill valve, flush valve, KORKY PLUS flapper, tank-to-bowl gasket, nuts, bolts and washers

PART#	DESCRIPTION
10133	Toilet repair kit

KORKY® ADJUSTABLE FLUSH VALVE & FLAPPER



- Universal design, fits most 2-piece toilet tanks
- Height easily adjusts from 7" to 11-1/2"
- Oversized tube and funnel reduce flood risk

PART#	DESCRIPTION
10132	KORKY Flush Valve

FLUIDMASTER BALLCOCKS

400A



- Anti-Siphon Ballcock
- Adjustable 9" to 14"
- CSA Approved OEM
- Retail Packaged

400LS



- Leak Sentry Ballcock
- Prevent endless, automatic refilling of leaky tanks.
- Adjustable 9" to 14"
- CSA Approved OEM
- Retail Packaged

PART# DESCRIPTION

FM400A Anti-Siphon Ballcock

PART# DESCRIPTION

FM400LS Leak Sentry Ballcock

400C



- All you need in one kit to fix the most common leaks and squeaks.
- Features the proven 400A Fill Valve and the rugged BULL'S EYE® Super Flapper (501)
- Flapper is chlorine-resistant for harsh water regions.

BULLS EYE FLAPPER



- Basic repair for average conditions.
- Replaces old tank ball or worn flapper.
- Easy to install, fits most tanks
- Hinged to a rigid frame for better alignment

PART# DESCRIPTION
FM400C 400A Ballcock with Flapper

PART# DESCRIPTION
FM500 Bullseye flapper

FLUSHER FIXER KIT



- Includes new drain seat for repairing older, corroded tank drains.
- Fits most tanks
- Adjustable timing cup for most efficient flush
- Chlorine-resistant flapper for harsh water regions.
- Five-Year Warranty



PART# DESCRIPTION
FM555C Flusher fixer kit

FAUCET REPAIR

TANK LIDS - HIGH IMPACT PLASTIC



- LYNCAR'S replacement toilet tank lids are an inexpensive way to replace a lost or broken lid
- White in colour and can be painted to match any coloured toilet
- Individually boxed
- Several sizes available

PART#	DESCRIPTION	SIZE
10223	Universal Fit CADET II	22-3/4" x 8-3/4"
10224	AM/STD New CADET	18-3/4" x 8"
10225	AM/STD Old Style CADET	20-7/8" x 8"
10226	CRANE & KILGORE	21" x 8"

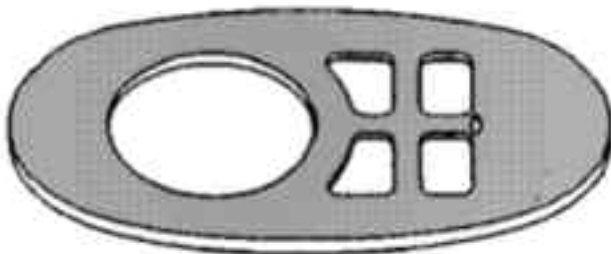
TOILET TANK LINER KIT



- LYNCAR'S toilet tank liner kit is a complete kit that includes precut styrofoam insulation, adhesive and full instructions

PART#	DESCRIPTION
10227	Toilet Tank Liner Kit

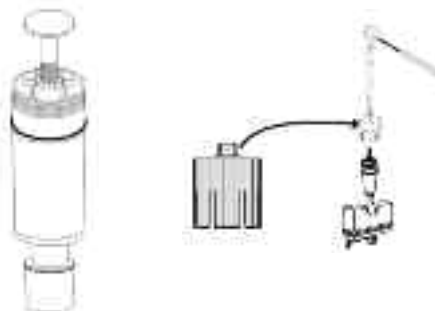
TOILET COVER SHOE



- White plastic 13" x 23-1/2" overall size.
- Caulk & seal design, fits all toilets including round & square front toilets
- Can be installed without removing toilet.
- 13" x 23-1/2"

PART#	DESCRIPTION
1012	1.6 conversion cover plate

SLOAN FLUSHMATE STYLE CARTRIDGE



- OEM Replacement
- Same Installation
- Same Adjustment
- Same Flush
- American Manufactured
- Bagged With Instructions
- 100% Individually Tested

PART#	DESCRIPTION
10137	FLUSHMATE Cartridge OEM # C100101K
10138	Easy Out Tool

TOILET REPAIR

COAST 1B1 STYLE 10" FILL VALVE



- One Piece Design
- Rod, Refill Tube, Nut & washers included
- OEM Ref#12114

MANSFIELD STYLE 10" FILL VALVE



- One Piece Design
- Rod, Refill Tube, Nut & washers included
- OEM Ref#07

PART# DESCRIPTION

10213 10" Fill Valve

PART# DESCRIPTION

10215 10" Fill Valve

COAST 1B1X STYLE FILL VALVE



- Fits Most One Piece Toilets
- Retail Packaged
- One Piece Design
- Rod, refill tube, nut & washers included
- OEM Ref#10174

PART# DESCRIPTION

10214 1B1X Style Fill Valve

MINI PILOT BALLCOCK



- One Piece Design
- No need for Rod or Float
- Refill tube, nut & washers included
- Operates below water level

PART# DESCRIPTION

10093 Replaces old style ballcocks

HOOVER STYLE ANTI-SIPHON BALLCOCK



- Reliable - Quiet Operation

PART# DESCRIPTION

- 10082** 8 1/2" Ballcock Complete w/ Float Rod , "S" Clip, Tube , CSA
- 10102** 10" Ballcock Complete w/ Float Rod, "S" Clip, Tube, CSA
- 10112** 12" Ballcock Complete w/ Float Rod, "S" Clip, Tube
- 10079** 9" - 13" Adjustable Hoover Style Ballcock

BALLCOCKS & TANK REPAIR PARTS

<p>COASTMASTER 1B1 FILL VALVE </p>  <ul style="list-style-type: none"> - Retail Packaged - One Piece Design - Rod, refill tube, nut & washers included - Part# 10084 OEM Ref#12114 - Part# 10085 OEM Ref#12164 	<p>COASTMASTER FIT ALL FILL VALVE </p>  <ul style="list-style-type: none"> - Retail Packaged - One Size Fits All Tanks - Rod, refill tube, nut & washers included - OEM Ref#12704 										
<table border="1"> <thead> <tr> <th>PART#</th> <th>DESCRIPTION</th> </tr> </thead> <tbody> <tr> <td>10084</td> <td>10"</td> </tr> <tr> <td>10085</td> <td>12"</td> </tr> </tbody> </table>	PART#	DESCRIPTION	10084	10"	10085	12"	<table border="1"> <thead> <tr> <th>PART#</th> <th>DESCRIPTION</th> </tr> </thead> <tbody> <tr> <td>10086</td> <td>FIT ALL</td> </tr> </tbody> </table>	PART#	DESCRIPTION	10086	FIT ALL
PART#	DESCRIPTION										
10084	10"										
10085	12"										
PART#	DESCRIPTION										
10086	FIT ALL										
<p>COASTMASTER MARK IV FILL VALVE </p>  <ul style="list-style-type: none"> - Retail Packaged - One Piece Design - Rod, refill tube, nut & washers included - OEM Ref#13364 	<p>COASTMASTER 1B1 ADJUSTABLE </p>  <ul style="list-style-type: none"> - Retail Packaged - 9 1/2" to 13" - One Piece Design - Rod, refill tube, nut & washers included - OEM Ref#14044 										
<table border="1"> <thead> <tr> <th>PART#</th> <th>DESCRIPTION</th> </tr> </thead> <tbody> <tr> <td>10087</td> <td>12"</td> </tr> </tbody> </table>	PART#	DESCRIPTION	10087	12"	<table border="1"> <thead> <tr> <th>PART#</th> <th>DESCRIPTION</th> </tr> </thead> <tbody> <tr> <td>10088</td> <td>FIT ALL</td> </tr> </tbody> </table>	PART#	DESCRIPTION	10088	FIT ALL		
PART#	DESCRIPTION										
10087	12"										
PART#	DESCRIPTION										
10088	FIT ALL										
<p>COASTMASTER 1B1X FILL VALVE </p>  <ul style="list-style-type: none"> - Fits Most One Piece Toilets - Retail Packaged - One Piece Design - Rod, refill tube, nut & washers included - OEM Ref#10174 	<p>COASTMASTER 1B1 REPAIR KIT</p>  <p>10088RK 10084XRK</p> <ul style="list-style-type: none"> - Repair Kit Includes: One seal ring One Complete Piston assembly 										
<table border="1"> <thead> <tr> <th>PART#</th> <th>DESCRIPTION</th> </tr> </thead> <tbody> <tr> <td>10084X</td> <td>1B1X Fill Valve</td> </tr> </tbody> </table>	PART#	DESCRIPTION	10084X	1B1X Fill Valve	<table border="1"> <thead> <tr> <th>PART#</th> <th>DESCRIPTION</th> </tr> </thead> <tbody> <tr> <td>10088RK</td> <td>For 1B1 Fill Valve</td> </tr> <tr> <td>10084XRK</td> <td>For 1B1X fill valve</td> </tr> </tbody> </table>	PART#	DESCRIPTION	10088RK	For 1B1 Fill Valve	10084XRK	For 1B1X fill valve
PART#	DESCRIPTION										
10084X	1B1X Fill Valve										
PART#	DESCRIPTION										
10088RK	For 1B1 Fill Valve										
10084XRK	For 1B1X fill valve										

TOILET REPAIR

TOILET STABILIZER SHIMS



- Plastic
- 1-1/4" x 2" to 1/4" thick

BALLCOCK REPAIR PARTS



10081

2099

1015N

PART#	DESCRIPTION
234	10 per bag
234Q	100 per bag

PART#	DESCRIPTION
1015N	(New Style) Bonnet, Arm , Diaphragm & Screw
1017	Plastic Refill Tube
10081	"S" Clip for Refill Tube (100 per package)
2099	Rubber Shank Washer

TANK OVERFLOW TUBE - BRASS



- 10" Brass tube
- Fine thread, one end

BALLCOCK COUPLING NUT



PART#	DESCRIPTION
870	1" x 10"

PART#	DESCRIPTION
1320	Plastic
1321	Brass

TANK FLOAT RODS - BRASS



- 20 TPI
- # 882 8" most popular

PLASTIC FLOATS



- Plastic 4" x 5" Oval Float

PART#	DESCRIPTION
882	8" long
883	9" long
884	10" long
886	12" long

PART#	DESCRIPTION
1073	Plastic floats

TOILET REPAIR

**WAX GASKET W/ PLASTIC FLANGE
FLEX-A-FLANGE**



- Premium USA made wax
- For 3" or 4" cast iron, brass, plastic and steel/plastic combo closet rings

PART#	DESCRIPTION
270	Flex-a-flange

WAX GASKET



- Premium USA made wax
- 1 per box, 48 per case

PART#	DESCRIPTION
268	Wax gasket

WAX GASKET JUMBO WITH PLASTIC FLANGE



- Supersized wax ring
- Extra long flange
- 1 per box 24 per case

PART#	DESCRIPTION
272	Flex-a-flange



SPONGE RUBBER FLANGE GASKET



- 3-1/2" ID x 5-3/8" OD
- Resists mold, mildew and fungus

PART#	DESCRIPTION
2228	1" thick
2229	1/2" thick
2230	3/4" thick

SPONGE RUBBER FLANGE GASKET WITH BOLT HOLES

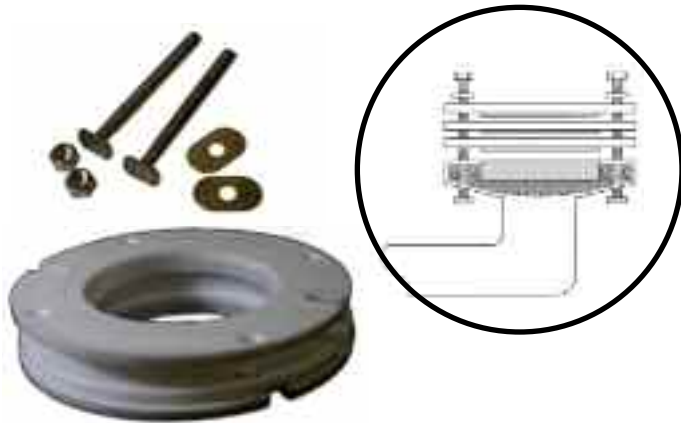


- 3-1/2" ID x 6-3/4" OD
- Resists mold, mildew and fungus

PART#	DESCRIPTION
2231	3/4" thick

TOILET REPAIR

FLANGE EXTENSION KIT



- Kit Contains:
3 Self-sealing extenders
With 1/4" X 3-1/2" closet bolts, nuts & washers

**4 HOLE PATTERN
ABS TOILET FLOOR FLANGE**



- Fits 3" inside pipe ABS or PVC
- WC Cheater Flange
- Made from ABS plastic

PART#	DESCRIPTION
1018K	Flange extension kit

PART#	DESCRIPTION
8024	ABS Toilet floor flange

FLANGE EXTENSION RINGS



- 1/4" thick

**4 HOLE PATTERN
BRASS FLOOR FLANGE**



(Heavy Duty Shown)

PART#	DESCRIPTION
1018	Durable ABS

PART#	DESCRIPTION
10134	Light Duty
10135	Medium Duty
10136	Heavy Duty Reducing 4" x 3"

FAUCET REPAIR

QUICK RING



- Unique screw tabs attach to wood or concrete.
- Plastisol coat provides corrosion protection.
- Slotted for 1/4" or 5/16" closet bolt.
- Old closet ring does not need to be present.
- Replaces any and all closet rings.
- For solvent welded steel/plastic combo and plastic closet rings
- Remove portion of broken ring, if remaining portion cannot be removed, Quick Ring will mount on top.
- Apply a bead of butyl rubber caulk to the underside of the Quick Ring that will mount on top of the old ring.
- Set Quick Ring on top of remaining portion of old ring
- Note location of old toilet bolt slots
- The length of the bolt slots in the Quick Ring allows for some centering of toilet. Secure the Quick Ring to wood or concrete sub floor with screws or anchors.

PART#	DESCRIPTION
21013	Replaces any closet ring

QUICK RING FIX FLANGE



- Eliminate the need to replace broken closet flanges, saving time and money. Simply place the flange under the broken area of the ring and tighten the nut.
- Suitable for use with cast iron, plastic, copper and brass closet flanges.
- Packaged for retail display

PART#	DESCRIPTION
21015	Chrome Plated Brass

QUICK RING HALF ANCHOR

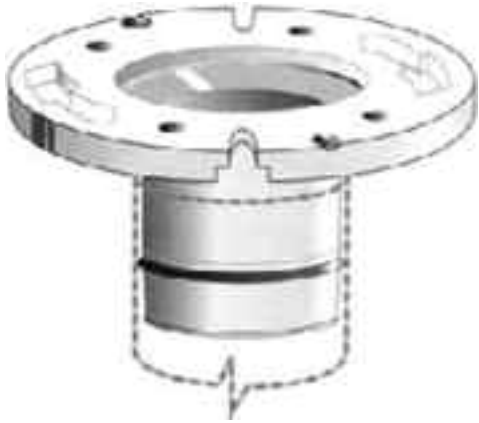


- Eliminate the need to replace broken closet flanges, saving time and money. Simply place the flange under the broken area of the ring and tighten the nut.
- Suitable for use with cast iron, plastic, copper and brass closet flanges.
- Packaged for retail display

PART#	DESCRIPTION
21014	Chrome Plated Brass

TOILET REPAIR

FLANGE - CLOSET REPLACEMENT - 3"



- Compression O-ring joint
- Two O-ring diameters to accommodate different inside pipe diameters
- No need to remove lead joint
- No tearing up floors
- No caulking lead joints
- Slides inside 3" cast iron
- Also fits Sch 30 and Sch 40 ABS & PVC
- Simply engage O-ring for snug fit, align bolt slots with proper toilet position and push into pipe for compression seal
- Secure flange to floor for proper installation

PART#	DESCRIPTION
20020	Chrome Plated Brass

ADJUSTABLE ABS STREET FLANGE - 3"



- Fits inside 3" Sch 40 pipe
- Ideal for concrete construction
- Eliminate need for chipping and chiseling concrete
- Makes repair jobs faster and easier
- Has extended length to reach riser below floor height

PART#	DESCRIPTION
20022	Allowing up to 3" of adjustment to riser