



Page 214

**TP220**



Page 215

**TP225**



Page 215

**TP225G**



Page 215

**TP225A**



Page 216

**TP230**



Page 216

**TP230G**



Page 217

**TP235**



Page 217

**TP240**



Page 218

**TP280**



Page 219

**SB55**



Page 220

**CADDY® EZ BRACE**



## SWAY BRACING TP220

### Quick Clamp Sway Brace Pipe Attachment

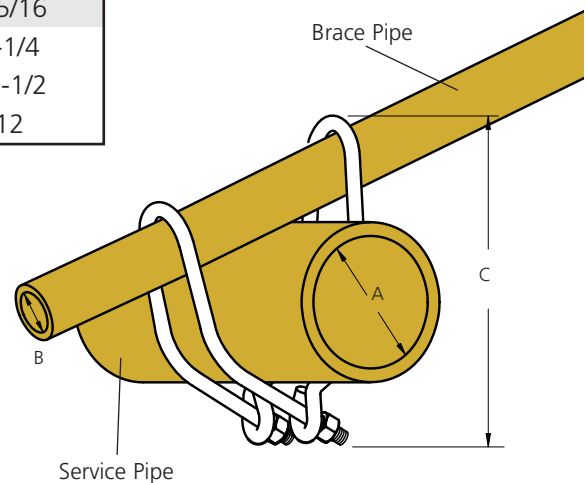
- Size Range: 1-1/4" thru 8" braced pipe
- Used for laterally bracing pipe against sway disturbances
- Complies with NFPA® 13
- Snap off nut design at recommended torque
- Finish: Electro-zinc galvanized (EG)

**NOTE:** Also available in Plain (PL) finish



Nº	A (Service Pipe Size) (in)	B (Brace Pipe Size) (in)	C (in)
TP2201000125EG	1-1/4	1	4-13/16
TP2201000150EG	1-1/2	1	5-1/8
TP2201000200EG	2	1	5-5/16
TP2201000250EG	2-1/2	1	6-1/2
TP2201000300EG	3	1	7-1/4
TP2201000400EG	4	1	8-1/8
TP2201000500EG	5	1	8-5/8
TP2201000600EG	6	1	10
TP2201000800EG	8	1	11-3/4
TP2201250125EG	1-1/4	1-1/4	5-1/4
TP2201250150EG	1-1/2	1-1/4	5-1/2
TP2201250200EG	2	1-1/4	6
TP2201250250EG	2-1/2	1-1/4	6-1/2
TP2201250300EG	3	1-1/4	7-1/4
TP2201250400EG	4	1-1/4	8-5/16
TP2201250500EG	5	1-1/4	9-1/4
TP2201250600EG*	6	1-1/4	10-1/2
TP2201250800EG*	8	1-1/4	12

\*Not Listed



## SWAY BRACING TP225 & TP225G

### Quick End Threadless Brace Fitting

- Size Range: 1" and 1-1/4" bracing pipe
- Used to install lateral and/or longitudinal sway bracing
- Complies with NFPA® 13
- Finish: Electro-zinc plated (EG)

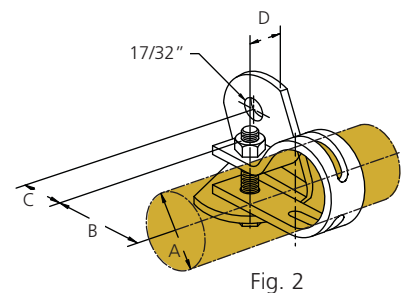
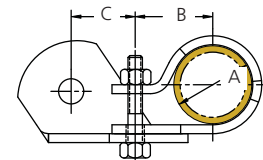
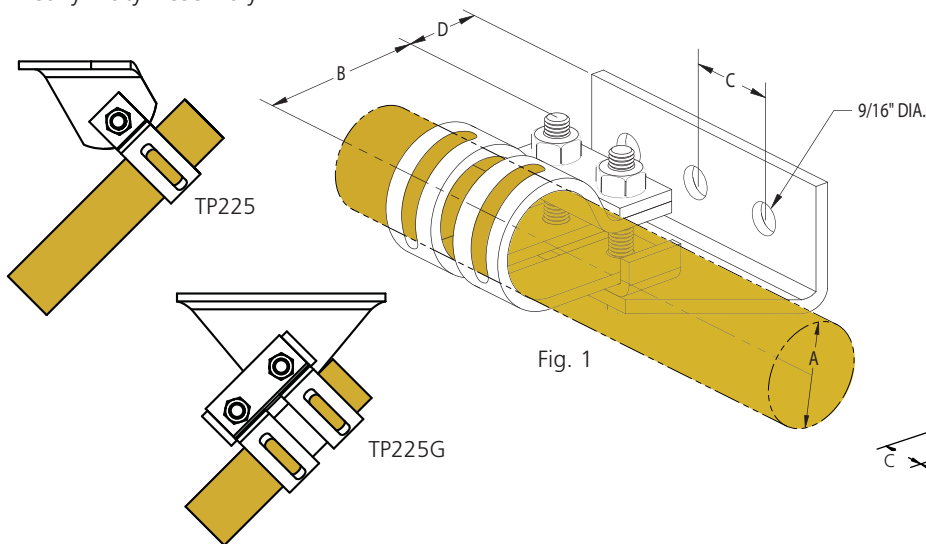


**NOTE:** Also available in Plain (PL) finish



Nº	Fig. No.	A (Brace Pipe Size) (in)	B (in)	C (in)	D (in)
TP225G100EG*	1	1	1-3/8	1-1/4	1-1/4
TP225G125EG*	1	1-1/4	1-5/8	1-1/4	1-1/4
TP225100EG	2	1	1-3/8	1-3/8	1-1/8
TP225125EG	2	1-1/4	1-5/8	1-3/8	1-1/8

\*Heavy Duty Assembly



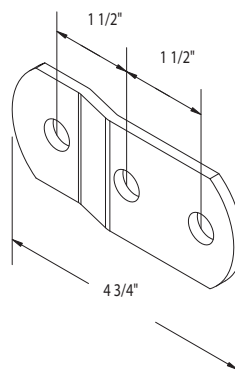
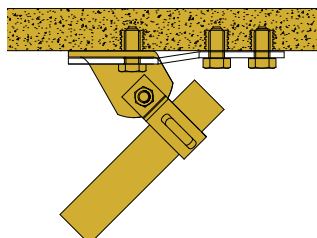
## SWAY BRACING ADAPTER PLATE TP225A

### Quick Loader Adapter Plate

- Allows TP225 to be attached with two or three attachment bolts
- Finish: Electro-zinc plated (EG)
- Complies with NFPA® 13

**NOTE:** Also available in Plain (PL) finish

Nº
TP225A000EG



## SWAY BRACING TP230 & TP230G

### Quick In-line Lateral & Longitudinal Sway Brace Clamp

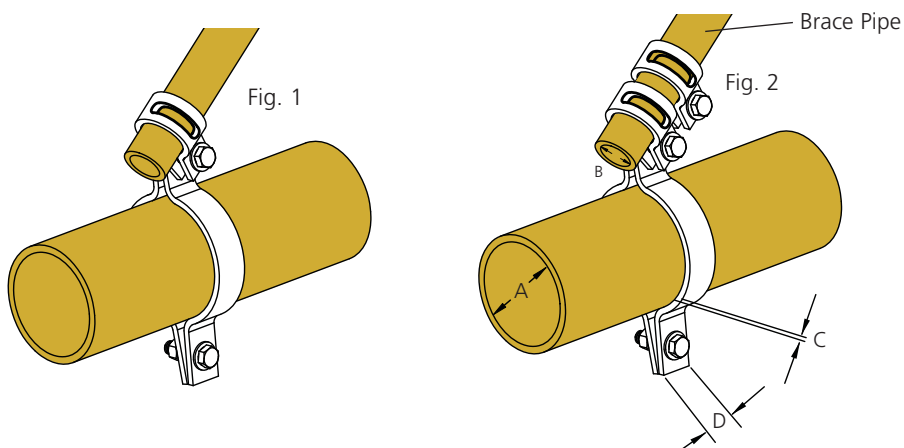
- Size Range: 1" thru 8" braced pipe
- Used for laterally and longitudinally bracing piping against sway
- Complies with NFPA® 13
- Finish: Electro-zinc plated (EG)

**NOTE:** Also available in Plain (PL) finish



N <sup>o</sup>	Fig. No.	A (Service Pipe Size) (in)	B (Brace Pipe Size) (in)	C (in)	D (in)
TP2301000100EG	1	1	1	3/16	1
TP2301000125EG	1	1-1/4	1	3/16	1
TP2301000150EG	1	1-1/2	1	3/16	1
TP2301000200EG	1	2	1	3/16	1
TP2301000250EG	1	2-1/2	1	3/16	1
TP2301000300EG	1	3	1	3/16	1
TP2301250125EG	1	1-1/4	1-1/4	3/16	1
TP2301250150EG	1	1-1/2	1-1/4	3/16	1
TP2301250200EG	1	2	1-1/4	3/16	1
TP2301250250EG	1	2-1/2	1-1/4	3/16	1
TP2301250300EG	1	3	1-1/4	3/16	1
TP230G1000400EG*	2	4	1	3/16	1
TP230G1000500EG*	2	5	1	3/16	2
TP230G1000600EG*	2	6	1	3/16	2
TP230G1000800EG*	2	8	1	1/4	2
TP230G1250400EG*	2	4	1-1/4	3/16	1
TP230G1250500EG*	2	5	1-1/4	3/16	2
TP230G1250600EG*	2	6	1-1/4	3/16	2
TP230G1250800EG*	2	8	1-1/4	1/4	2

\*Heavy Duty Assembly



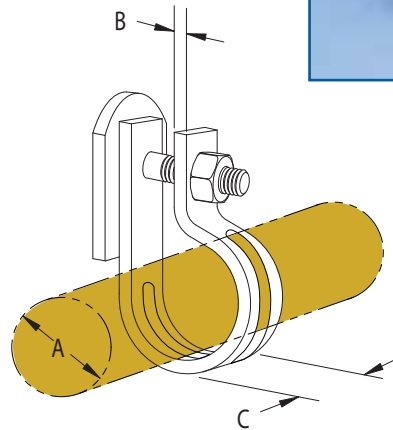
## SWAY BRACING TP235

### Quick Tab Welded Longitudinal Sway Brace Fitting

- Size Range: 1" and 1-1/4" bracing pipe
- Used for longitudinally bracing piping against sway when welding is an option
- Complies with NFPA® 13
- Finish: Electro-zinc plated (EG)

**NOTE:** Also available in Plain (PL) finish

Nº	A (Brace Pipe Size) (in)	B (in)	C (in)
TP235100EG	1	3/16	1
TP235125EG	1-1/4	3/16	1



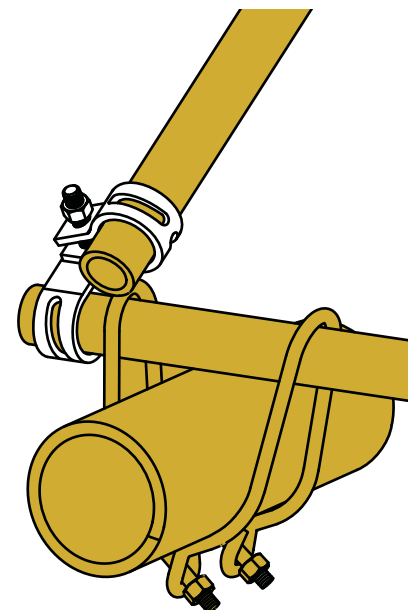
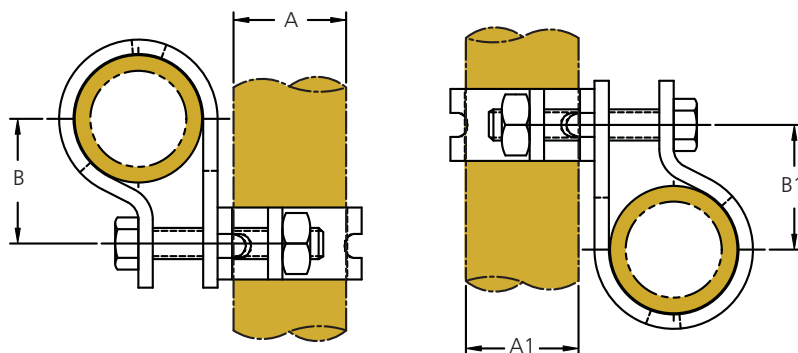
## SWAY BRACING TP240

### Quick 4-way Longitudinal Sway Brace Clamp

- Size Range: 1" and 1-1/4" bracing pipe
- Used for longitudinally bracing lateral sway bracing against sway disturbance
- Complies with NFPA® 13
- Also used for riser bracing
- Finish: Electro-zinc plated (EG)

**NOTE:** Also available in Plain (PL) finish

Nº	A (Brace Pipe Size) (in) A x A1	B (in)	B1 (in)
TP2401000100EG	1 x 1	1-3/8	1-3/8
TP2401250125EG	1-1/4 x 1-1/4	1-3/8	1-5/8



## SWAY BRACING TP280

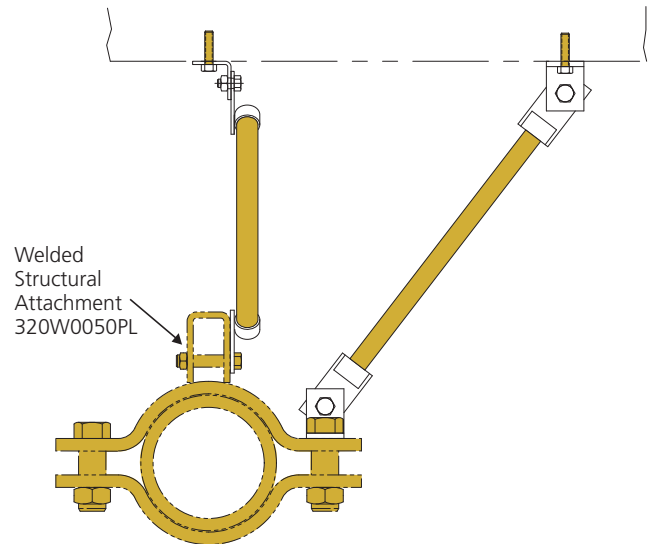
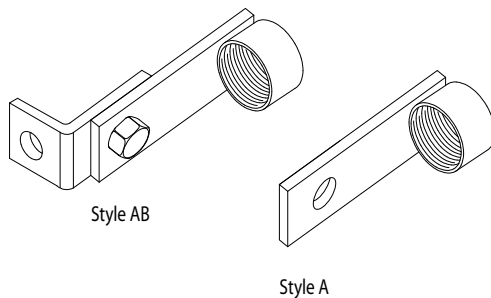
### Threaded Sway Brace Fitting

- Size Range: 1" pipe
- Used with Models: #400, #450, #610, and any length of 1" pipe to restrain pipe from swaying during an earthquake
- Finish: Electro-zinc plated (EG)

**NOTE:** Plain (PL) finish available by special order



Nº	Pipe Size (in)	Style
TP2800100EG	1	AB
TP280P0100EG	1	A



## UL® LISTING & TESTED WORKING LOAD CHART FOR ERICO® SWAY BRACES\*

Pipe Size (in)	Working Load Per U.L. 203A	Model TP220**	Model TP225	Model TP225G	Model TP230	Model TP230G	Model TP235	Model TP240
2	380	LISTED	LISTED	LISTED	LISTED	NOT LISTED	LISTED	LISTED
2-1/2	395	LISTED	LISTED	LISTED	LISTED	NOT LISTED	LISTED	LISTED
3	435	LISTED	LISTED	LISTED	LISTED	NOT LISTED	LISTED	LISTED
3-1/2	540	LISTED	LISTED	LISTED	NOT LISTED	LISTED	LISTED	LISTED
4	655	LISTED**	LISTED	LISTED	NOT LISTED	LISTED	LISTED	LISTED
5	935	LISTED	LISTED	LISTED	NOT LISTED	LISTED	LISTED	LISTED
6	1265	NOT LISTED	NOT LISTED	LISTED	NOT LISTED	LISTED	LISTED	NOT LISTED
8	2015	NOT LISTED	NOT LISTED	LISTED	NOT LISTED	LISTED	LISTED	NOT LISTED

\*See website for latest updates at [www.erico.com](http://www.erico.com)

\*\* TP220 list only through 4" pipe for schedule 10 pipe

1. ERICO Sway Braces are UL® tested and Listed for use with ASTM® schedule 10 and 40 brace pipe
2. ERICO Sway Braces meet the full UL rated load when used with 1" or 1-1/4" schedule 40 brace pipe
3. ERICO Sway Braces meet the UL requirement that lateral braces must support a load equal to 1-1/2 times the working load without slippage. Actual working load capacity can be more than UL203A above. See our rated loads on the UL website.



## SWAY BRACING SB55

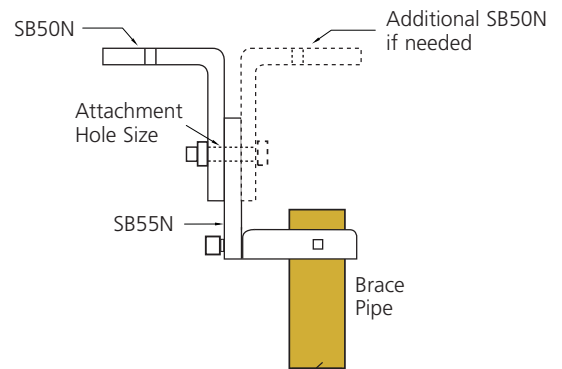
### SB55N Easy Attach Sway Brace

- Lateral and longitudinal sway bracing attachments
- cULus Listed
- Complies with NFPA® 13
- Set screw torque in the brace attachment is 160 in-lbs
- Structural attachment bracket (L100000EG) included with SB55N, additional L100000EG attachments can be ordered separately for added attachment strength
- For use with ERIC16
- Finish: Electro-zinc plated (EG) and Plain (PL) finish



Nº	Description	Brace Pipe Size (in)	Finish	Sprinkler Pipe Size to be Braced (in)	Working Load (lbs)	Max. Rec. Torque Value for Bolts (ft lbs)	Attachment Hole Size (in)
SB55N1000037EG	Sway brace clamp, 3/8 x 1	1	EG	1 - 2-1/2	400	20	3/8
SB55N1000037PL	Sway brace clamp, 3/8 x 1	1	Plain	1 - 2-1/2	400	20	3/8
SB55N1000050EG	Sway brace clamp, 1/2 x 1	1	EG	1 - 3-1/2	600	50	1/2
SB55N1000050PL	Sway brace clamp, 1/2 x 1	1	Plain	1 - 3-1/2	600	50	1/2
SB55N1000062EG	Sway brace clamp, 5/8 x 1	1	EG	1-4	700	90	5/8
SB55N1000062PL	Sway brace clamp, 5/8 x 1	1	Plain	1-4	700	90	5/8
SB55N1250037EG	Sway brace clamp, 3/8 x 1.25	1-1/4	EG	1 - 2-1/2	400	20	3/8
SB55N1250037PL	Sway brace clamp, 3/8 x 1.25	1-1/4	Plain	1 - 2-1/2	400	20	3/8
SB55N1250050EG	Sway brace clamp, 1/2 x 1.25	1-1/4	EG	1 - 3-1/2	600	50	1/2
SB55N1250050PL	Sway brace clamp, 1/2 x 1.25	1-1/4	Plain	1 - 3-1/2	600	50	1/2
SB55N1250062EG	Sway brace clamp, 5/8 x 1.25	1-1/4	EG	1-4	700	90	5/8
SB55N1250062PL	Sway brace clamp, 5/8 x 1.25	1-1/4	Plain	1-4	700	90	5/8

Nº	Attachment Hole Size	Finish
SB50N038EG	3/8	EG
SB50N050EG	1/2	EG
SB50N062EG	5/8	EG
SB50N038PL	3/8	Plain
SB50N050PL	1/2	Plain
SB50N062PL	5/8	Plain



## CADDY® EZ BRACE

- The fast easy to install CADDY EZ BRACE seismic sway brace
- No disassembly of hardware, it stays in place
- Patent pending design
- Call for availability
- Finish: Electrogalvanised, Hot dip galvanised (HDG) and Plain (PL)



Pictured with our SB55N product for structural attachment.

Nº	Brace Pipe Size (in)	Service Pipe Size(in)
CSBEZ1000100EG	1	1
CSBEZ1000125EG	1	1-1/4
CSBEZ1000150EG	1	1-1/2
CSBEZ1000200EG	1	2
CSBEZ1000250EG	1	2-1/2
CSBEZ1000300EG	1	3
CSBEZ1000400EG	1	4
CSBEZ1000500EG	1	5
CSBEZ1000600EG	1	6
CSBEZ1000800EG	1	8
CSBEZ1250100EG	1-1/4	1
CSBEZ1250125EG	1-1/4	1-1/4
CSBEZ1250150EG	1-1/4	1-1/2
CSBEZ1250200EG	1-1/4	2
CSBEZ1250250EG	1-1/4	2-1/2
CSBEZ1250300EG	1-1/4	3
CSBEZ1250400EG	1-1/4	4
CSBEZ1250500EG	1-1/4	5
CSBEZ1250600EG	1-1/4	6
CSBEZ1250800EG	1-1/4	8

