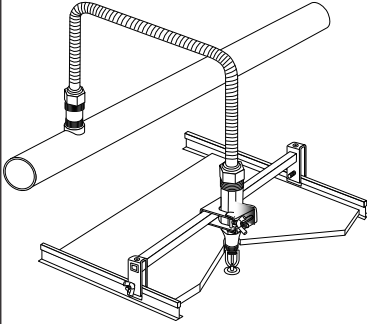


# AQUAFLEX FLEXIBLE SPRINKLER DROPS

## Flexible Sprinkler Drops - cULus listed



- Flexes and accommodates automatically for movement in ceiling height or building shift
- Standard stationary hard-piped installations cannot "Flex"
- Meets international building code standard for installation in seismic zones and may allow ceiling tiles, due to building shifts or ceiling stress, to drop below the sprinkler head, creating a potentially hazardous fire condition
- Working Pressure 175 PSIG
- Maximum Head Temperature 225°F
- Connection to Branch Line: 1" NPT
- Pipe Size: 1" Nominal Diameter
- Heads: Semi Recessed, Flush & Concealed
- Systems; Wet, Dry & Preaction

part #	length	Reducer NPT	Equivalent length of 1" schedule 40 pipe
305031	31"	1/2"	27
305048	48"	1/2"	53
305060	60"	1/2"	68
305072	72"	1/2"	73
305032	31"	3/4"	33
305049	48"	3/4"	55
305061	60"	3/4"	63
305073	72"	3/4"	76



\* Equivalent length includes three 90 deg. bends. Minimum Bend Radius 4" \*

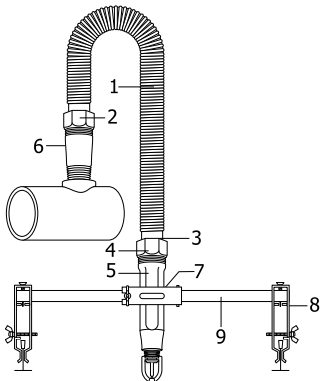


diagram item#	part name	material	qty	remark
1	Flexible Tube	STS304	27	0.3t
2	Nut	S10C	44	Zinc Plate
3	Isolation Ring	Nylon66	53	-
4	Gasket	EPDM	68	-
5	Reducer	STPG370	73	Zinc Plate
6	Branch Line Nipple	STPG370	33	Zinc Plate
7	Open Gate Bracket	Steel	48	Zinc Plate
8	End Bracket	Steel	55	Zinc Plate
9	Square Bar	GI Pipe	63	Zinc Plate