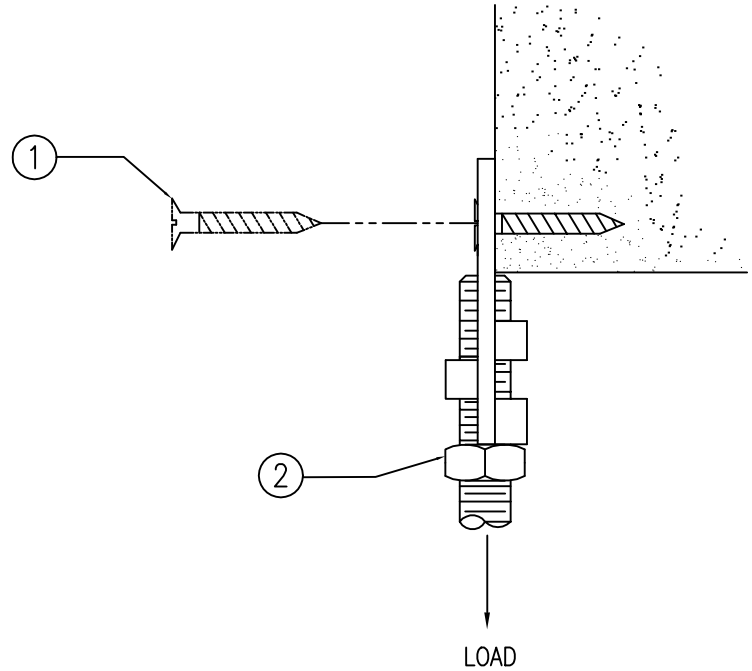
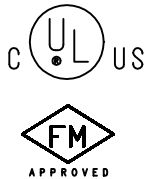
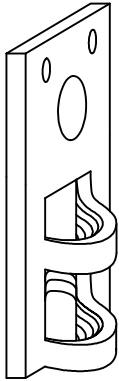


### INSTALLATION INSTRUCTIONS

#### EYE SOCKET MODEL #37



### FEATURES

A structural attachment used to join hanger rod to a structure.

Built-in threads provide easy installation of rod.

Also available with 10mm & 12mm thread.

PART NUMBER	DESCRIPTION	HANGER-THREADED ROD SUPPORTS FOLLOWING PIPE DIA.	ROD SIZE	MAX. RECOM. LOAD LBS.
0370037EG	Threaded Rod Hanger	3/4" through 4"	3/8"	250
0370050EG	Threaded Rod Hanger	2-1/2" through 6"	1/2"	760

#### WARNING:

- All pipe supports and hangers are designed ONLY for STATIONARY piping unless otherwise noted.
- All supports hangers, clamps and accessories shown to use two nuts on the hanger rod or a jam nut must have nuts tightened securely to assure proper performance.
- FIRE PROTECTION:** follow requirements of National Fire Protection Assoc. NFPA pamphlets 11, 12, 13, 14, 15, 16, 17, & Factory Mutual Property Loss Prevention Data Sheet No. 2-8N.
- Fasteners must be used only in the manner depicted in the illustrations that accompany it and must not exceed static load ratings.
- Fasteners are designed for use with a variety of industry standard building materials, structural shapes, and mechanical components. For the fastener to work properly, these items must meet the appropriate industry standards. (Examples: ANSI, AISC, AISI)
- The buyer and/or installer is responsible for:
  - Application in conformance to local codes.
  - The integrity of structures to which the fasteners are attached, including their capability of safely accepting the loads imposed, as evaluated by a qualified engineer.
  - Using appropriate industry standard hardware as noted above.
- Failure to observe these specifications may cause product malfunction resulting in property damage or bodily injury. ERICO Products at the time of shipment are warranted to conform to any applicable written description furnished to the Buyer by ERICO, and to be free from defects in material and workmanship. NO OTHER WARRANTY, WHETHER EXPRESSED OR IMPLIED, (INCLUDING ANY WARRANTY OF MERCHANTABILITY OR FITNESS), SHALL EXIST IN CONNECTION WITH THE SALE OR USE OF ANY ERICO PRODUCT.

**SAFETY INSTRUCTIONS:** All safety regulations required by the job site must be observed. Special attention should be given to the following instructions. While working or on the job site:

- Observe all Federal and local safety regulations.
- Wear safety glasses with side shields.
- Be aware of personnel working above and below.
- Wear a hard hat.
- Wear gloves to avoid splinters and cuts.
- When working above ground level, be sure the structure will support your weight.

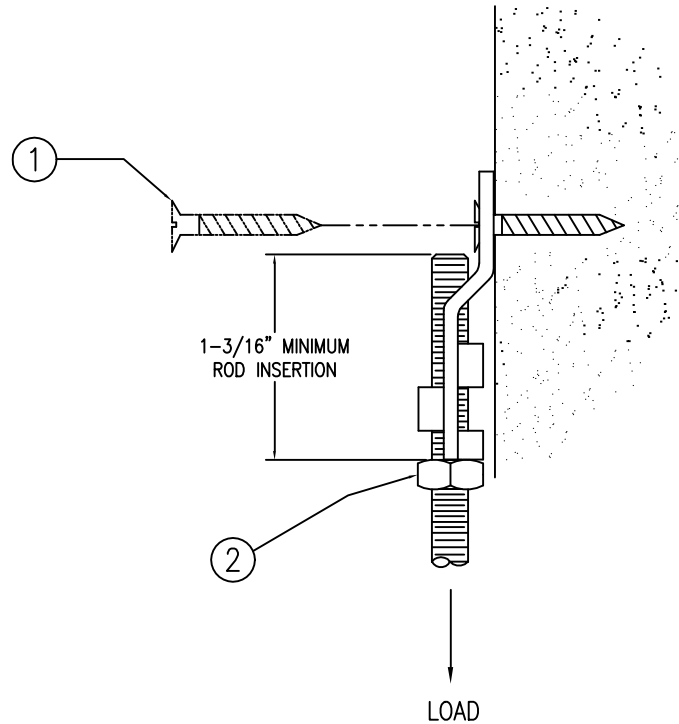
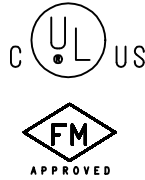
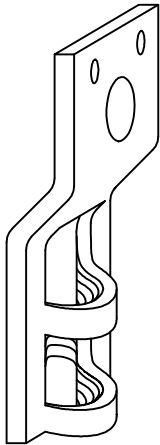
- Screw the hanger directly to the structure.
- Thread rod completely into hanger. Then secure with lock nut.

#### RECOMMENDED FASTENERS:

- Fasteners for 3/8" Rod Size:
  - Through 2" pipe, two Model #43, #14 x 2" Wood Drive Screws.
  - Through 4" pipe, one Model #42, 1/2" x 3" Lag Screw.
- Fastener for 1/2" Rod Size:
  - Through 8" pipe, one Model #42, 5/8" x 3" Lag Screw.

### INSTALLATION INSTRUCTIONS

#### OFFSET EYE SOCKET MODEL #38



### FEATURES

A structural attachment used to join hanger rod to a structure.

Built-in threads provide easy installation of rod.

Provides unlimited vertical rod adjustment.

Also available with 10mm thread.

PART NUMBER	DESCRIPTION	HANGER-THREADED ROD SUPPORTS FOLLOWING PIPE DIA.	ROD SIZE	MAX. RECOM. LOAD LBS.
0380037EG	Threaded Rod Hanger	3/4" through 4"	3/8"	250

#### WARNING:

- All pipe supports and hangers are designed ONLY for STATIONARY piping unless otherwise noted.
- All supports hangers, clamps and accessories shown to use two nuts on the hanger rod or a jam nut must have nuts tightened securely to assure proper performance.
- FIRE PROTECTION:** follow requirements of National Fire Protection Assoc. NFPA pamphlets 11, 12, 13, 14, 15, 16, 17, & Factory Mutual Property Loss Prevention Data Sheet No. 2-8N.
- Fasteners must be used only in the manner depicted in the illustrations that accompany it and must not exceed static load ratings.
- Fasteners are designed for use with a variety of industry standard building materials, structural shapes, and mechanical components. For the fastener to work properly, these items must meet the appropriate industry standards. (Examples: ANSI, AISC, AISI)
- The buyer and/or installer is responsible for:
  - Application in conformance to local codes.
  - The integrity of structures to which the fasteners are attached, including their capability of safely accepting the loads imposed, as evaluated by a qualified engineer.
  - Using appropriate industry standard hardware as noted above.
- Failure to observe these specifications may cause product malfunction resulting in property damage or bodily injury. ERICO Products at the time of shipment are warranted to conform to any applicable written description furnished to the Buyer by ERICO, and to be free from defects in material and workmanship. NO OTHER WARRANTY, WHETHER EXPRESSED OR IMPLIED, (INCLUDING ANY WARRANTY OF MERCHANTABILITY OR FITNESS), SHALL EXIST IN CONNECTION WITH THE SALE OR USE OF ANY ERICO PRODUCT.

**SAFETY INSTRUCTIONS:** All safety regulations required by the job site must be observed. Special attention should be given to the following instructions. While working on the job site:

- Observe all Federal and local safety regulations.
- Wear safety glasses with side shields.
- Be aware of personnel working above and below.
- Wear a hard hat.
- Wear gloves to avoid splinters and cuts.
- When working above ground level, be sure the structure will support your weight.

- Screw the hanger directly to the structure.
- Thread rod into hanger to minimum rod insertion. Adjust to desired height, then secure with lock nut.

#### RECOMMENDED FASTENERS:

- Fasteners for 3/8" Rod Size:
  - Through 2" pipe, two Model #43, #14 x 2" Wood Drive Screws.
  - Through 4" pipe, one Model #42, 1/2" x 3" Lag Screw.