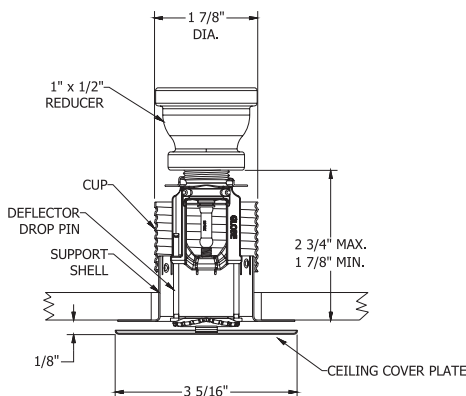
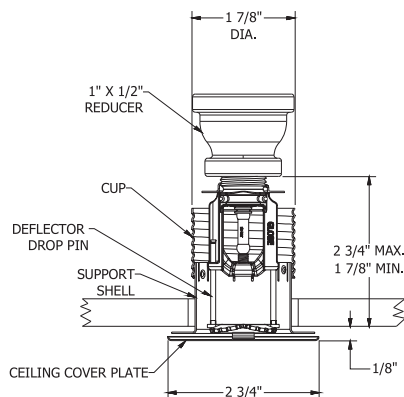


## "The INCH" Automatic Sprinklers



### Sprinkler Temperature Rating/Classification & Colour Coding

Classification	Available Sprinkler Temperature	Bulb colour	NFPA Max Temp	Ceiling Temp.
ordinary	135° F / 57° C	orange/red	100°	38° C
intermediate	175° F / 79° C	yellow/green	150°	66° C

### Specifications

Nominal "K" Factor	Thread Size	Length	Finishes
5.6 (80 metric)	1/2" NPT	2-1/2" (6.4cm)	Bright Chrome White painted Bright Brass Satin Chrome Other painted finishes available on special order

- > Head - Concealed Standard Response "The Inch"
- > Water working pressure rating - 175psi
- > Factory tested hydrostatically to 500psi
- > Maximum low temperature glass bulb rating is -67°F (-55°C)
- > Available in 155° and 200° temperatures
- > Chrome and white plates in 2 sizes
- > Supplied with 2 3/4" diameter plate unless otherwise requested
- > Specify temperature and finish

### Approvals

Part#	Style	K factor	135°F (57°C) with plate	155°F (68°C) with plate	155°F (68°C) with plate	175°F (79°C) with plate	200°F (93°C) with plate	cULus
G5653	adjustable concealed pendant	5.6	X	X	X	X	X	X